

ISP[®]

International Sound Products

ELECTRO-DENIS sprl
Radio-TV-HiFi-Electro Ménager
Faubourg de France 2
6830 Bouillon
061 - 466 352

service manual

Radio

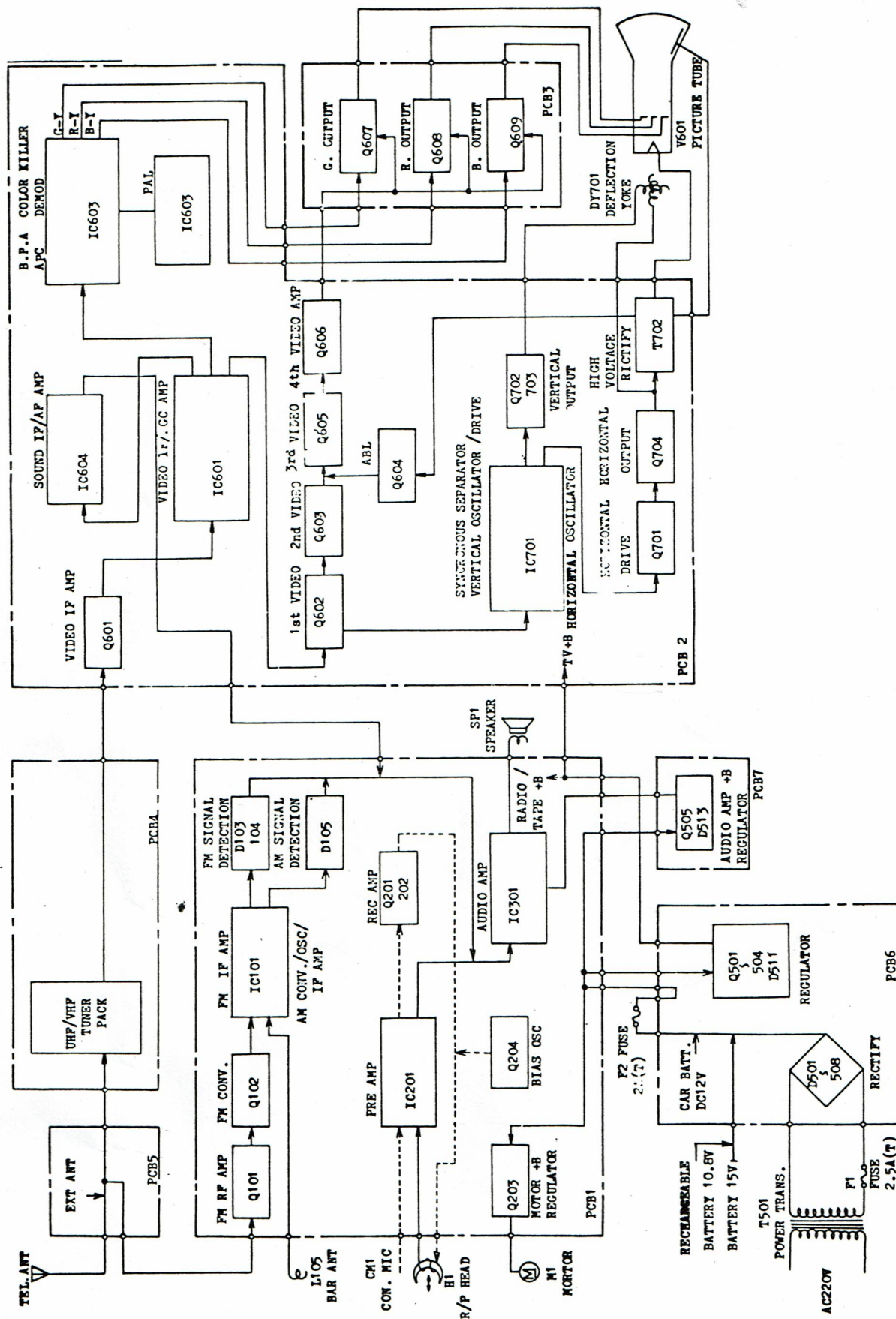
Cassette

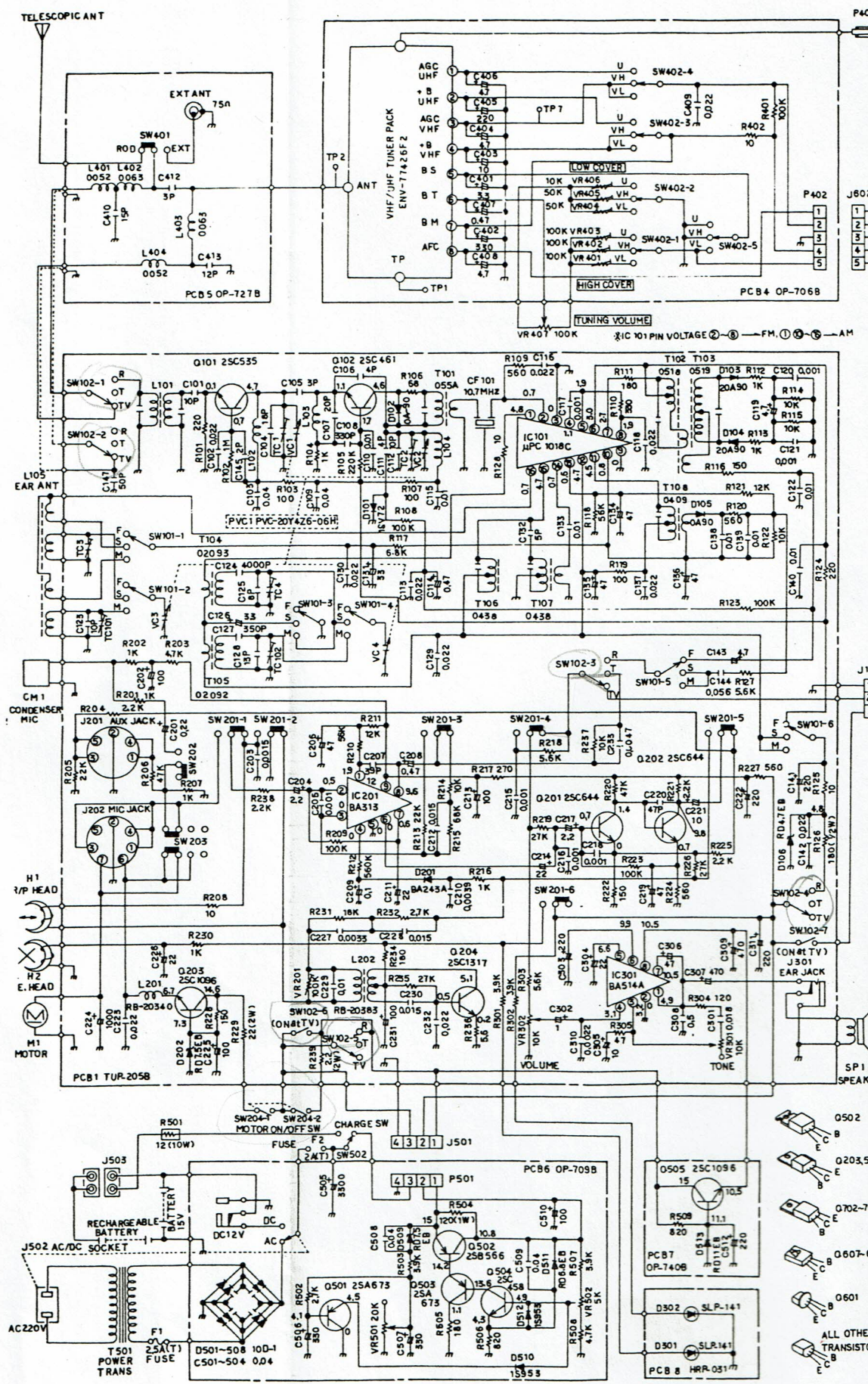
Color tv

ORION 8000

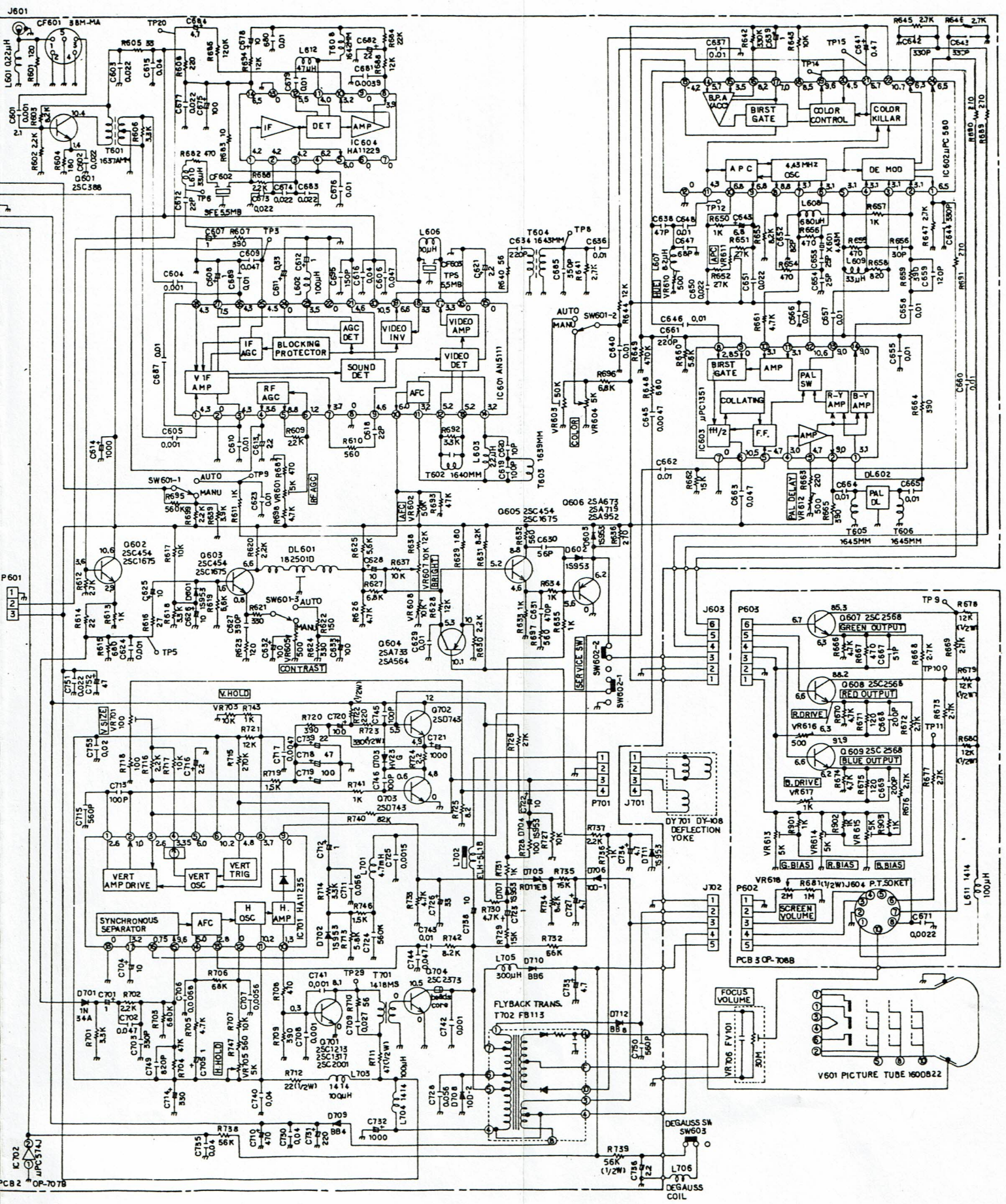


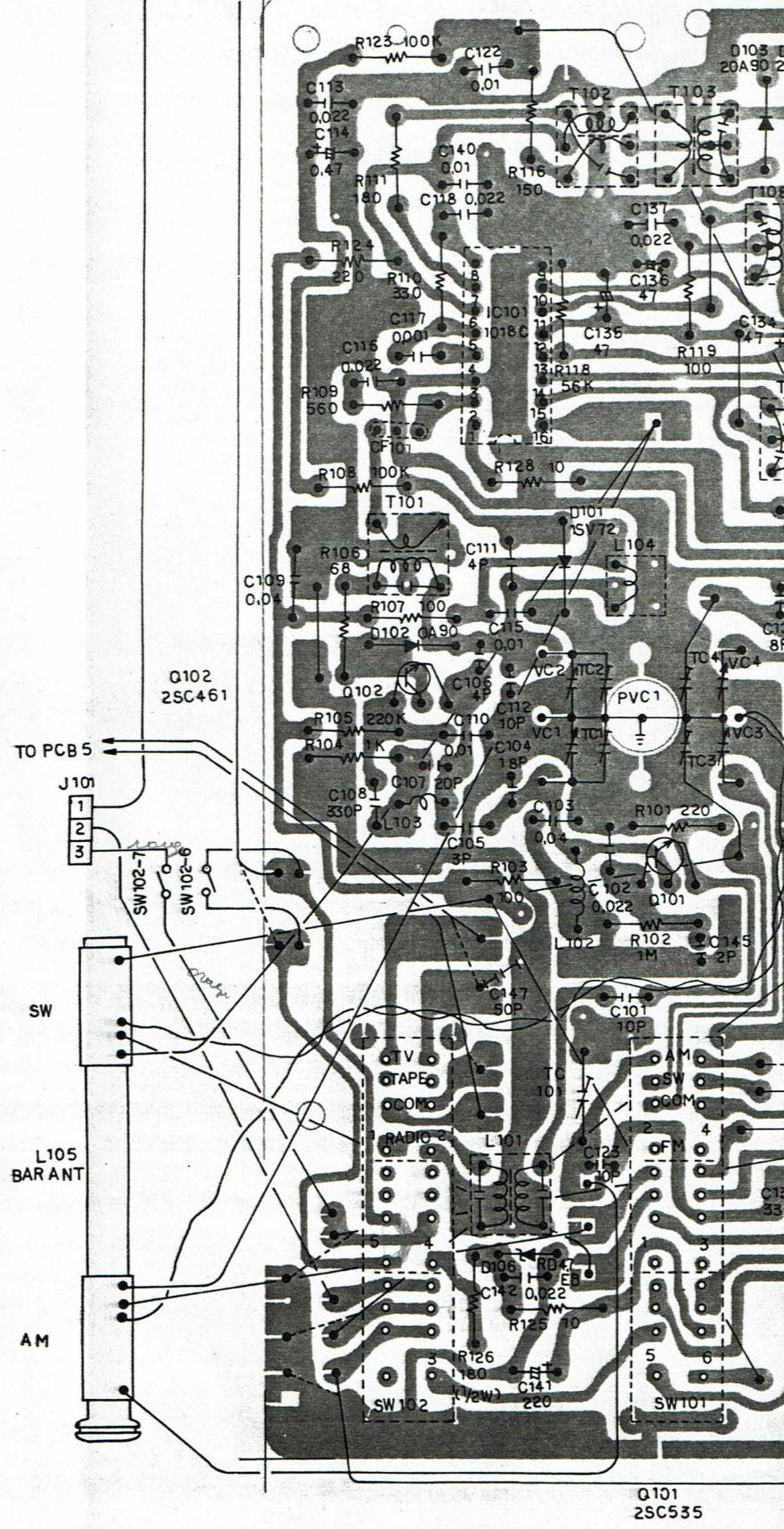
BLOCK DIAGRAM





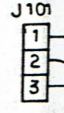
P401
 J602
 1
 2
 3
 4
 5
 J10
 1
 2
 3
 4
 5
 SP18
 SPEAKER
 0502
 0203,50
 0702-70
 0607-6
 0601
 ALL OTHER
 TRANSISTOR





Q102
2SC461

TO PCB 5

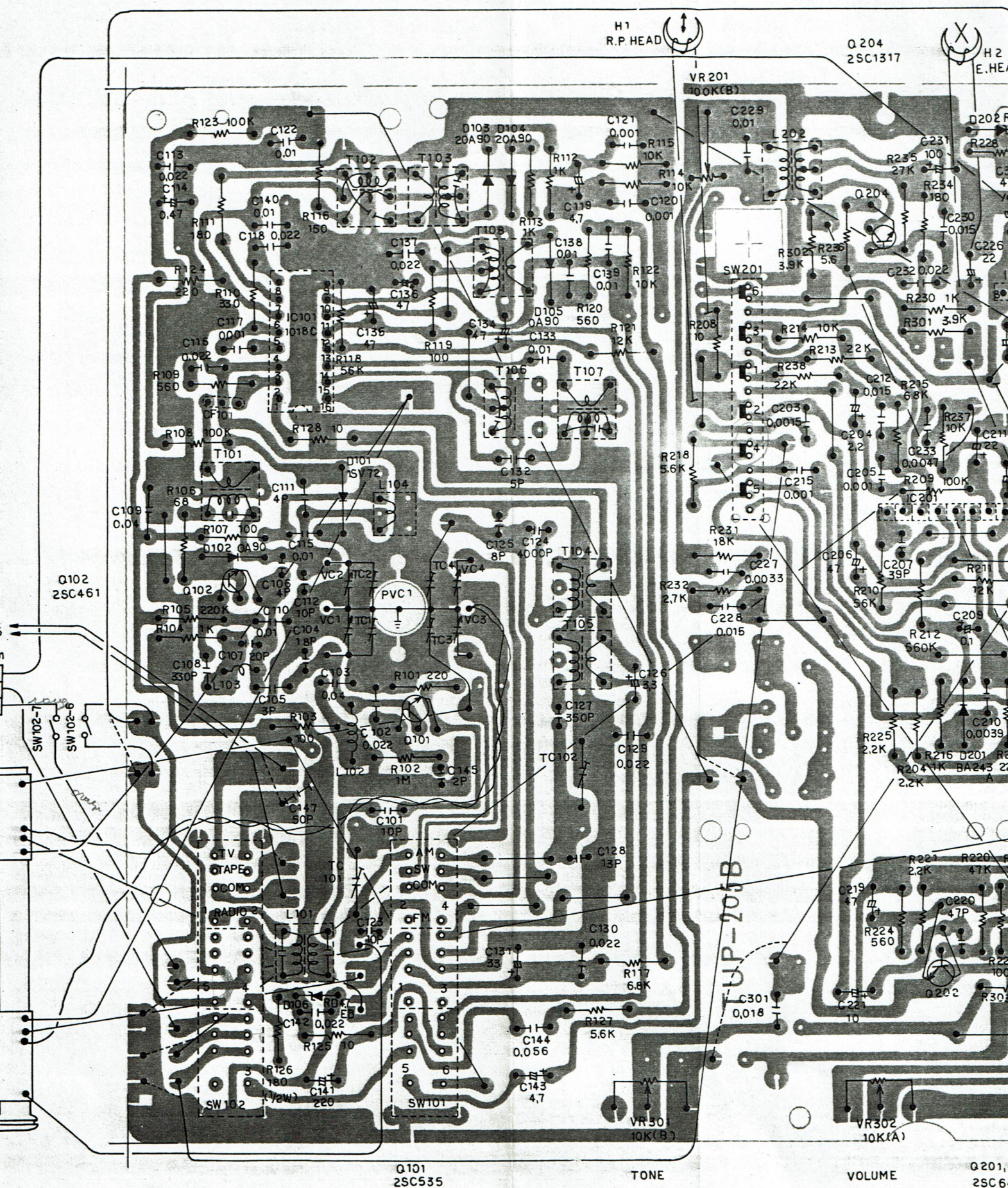


SW

L105
BARANT

AM

Q101
2SC535



H1
R.P. HEAD

Q204
2SC1317

H2
E.HEAD

VR201
100K(B)

Q102
2SC461

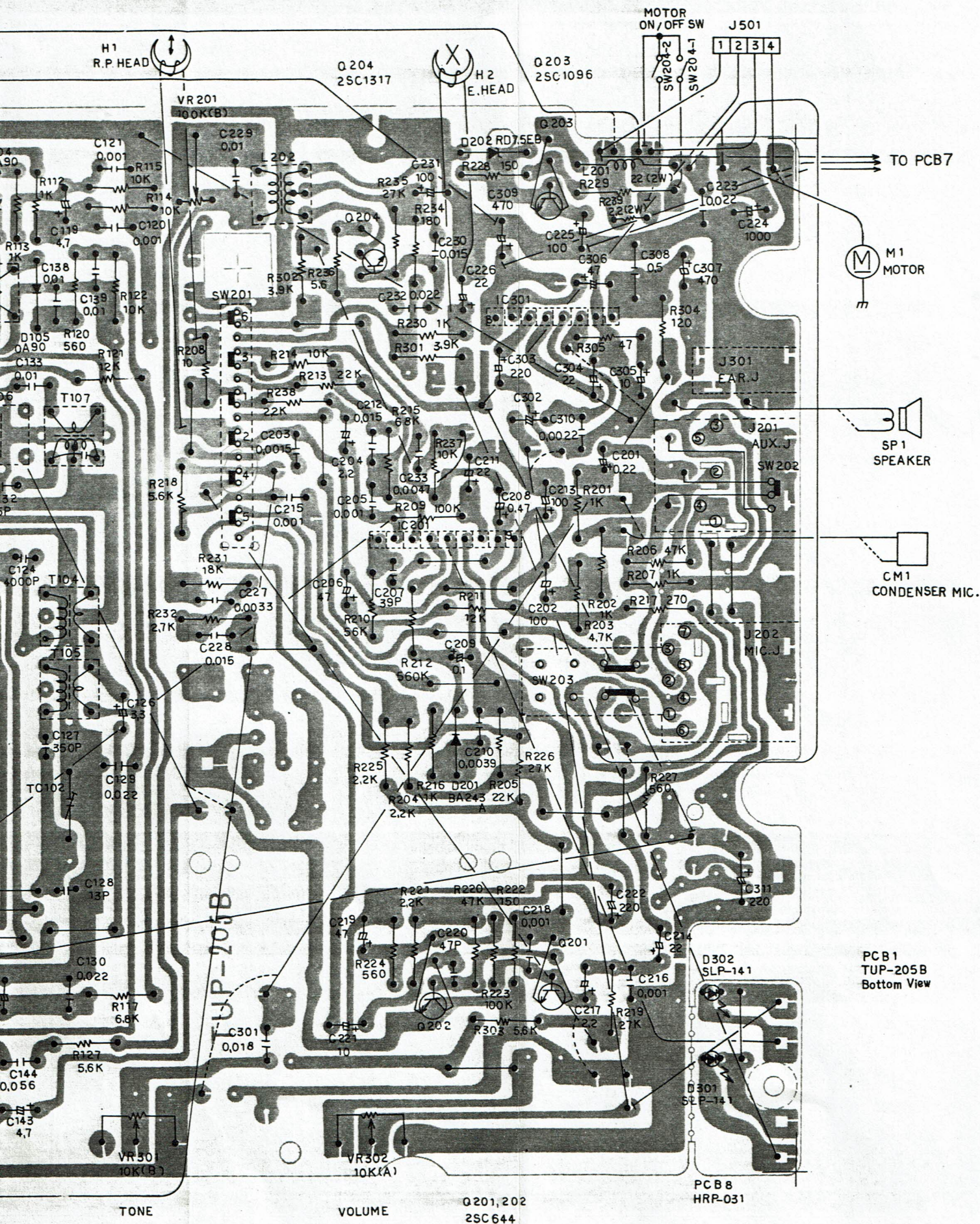
Q101
2SC535

TONE

VOLUME

Q201,
2SC6

UP-201B



PCB 7
OP-740B

Q601
25C388
TO PCB1

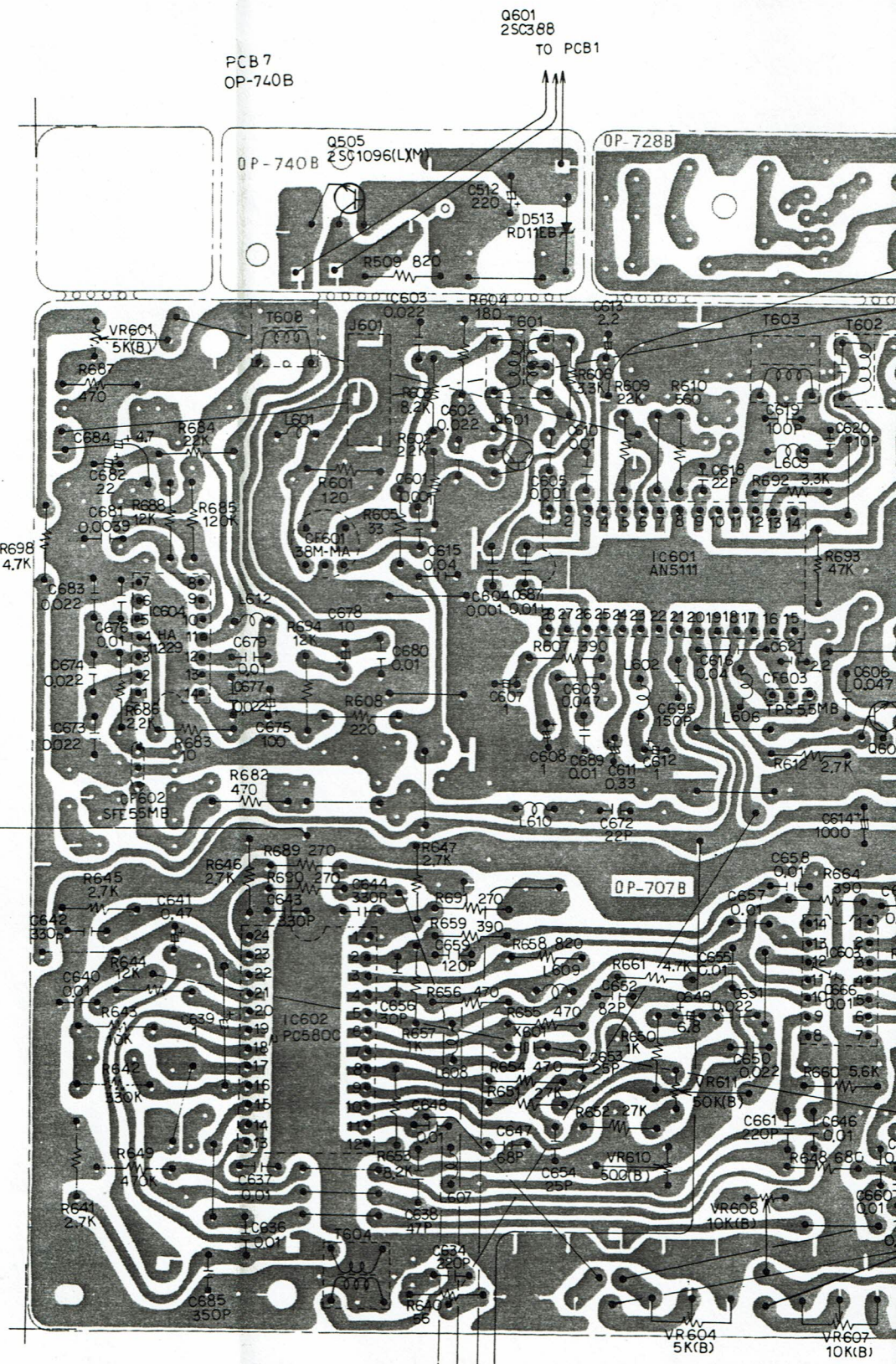
OP-740B
Q505
25C1096(LXM)

OP-728B

J603
2

OP-707B

5 4 6 1
J603



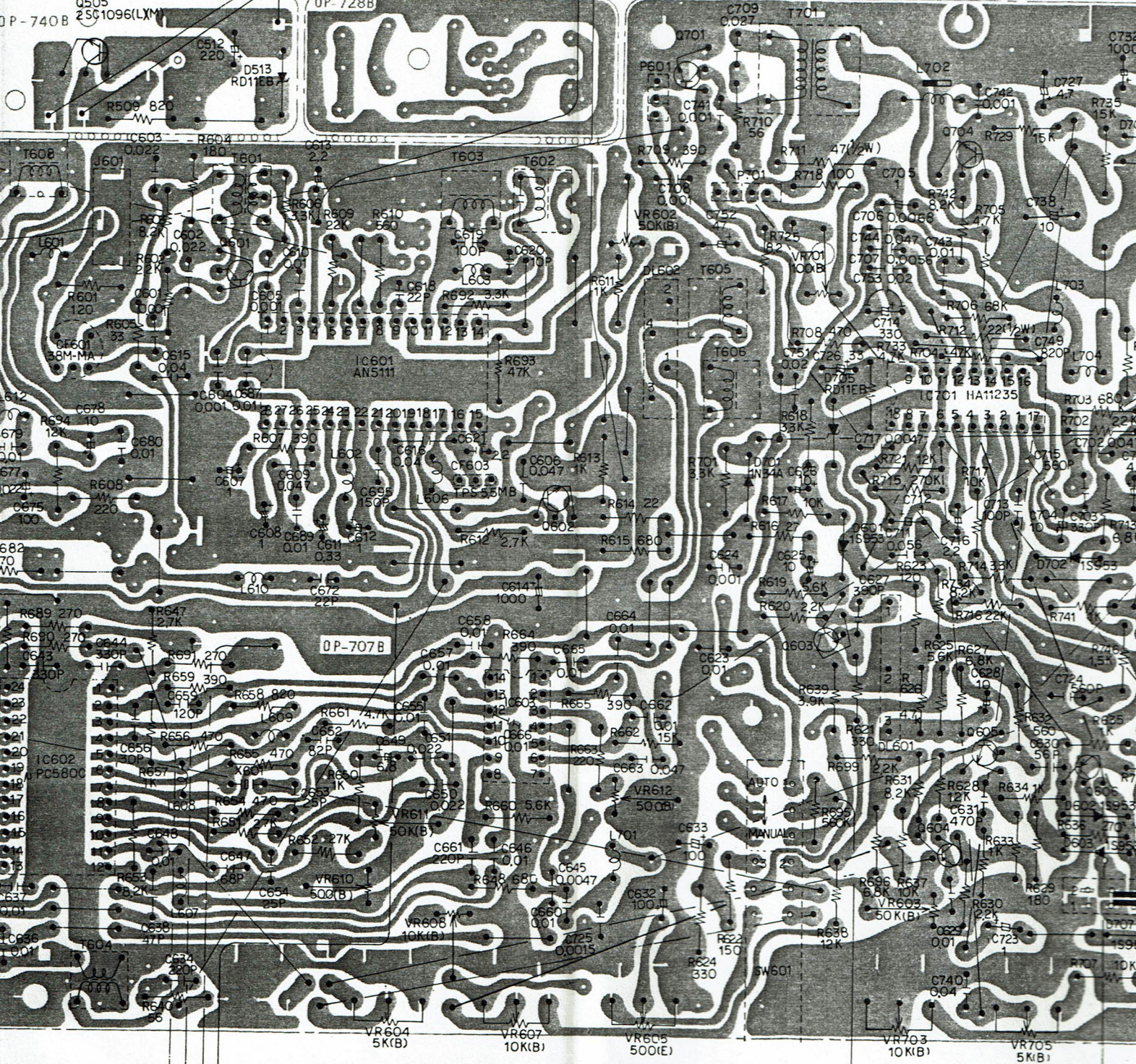
CB 7
P-740B

Q601
25C388
TO PCB1

J602
23

Q701
25C1213
25C1317
25C2001

Q704
25C2373



5 4 6 1
J603

Q602,603,605
25C454
25C1675

1
J602

Q604
25A733
25A564

Q606
25A673
25A719
25A952

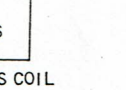
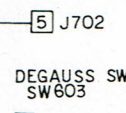
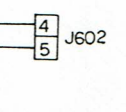
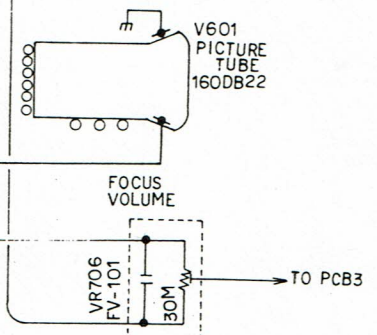
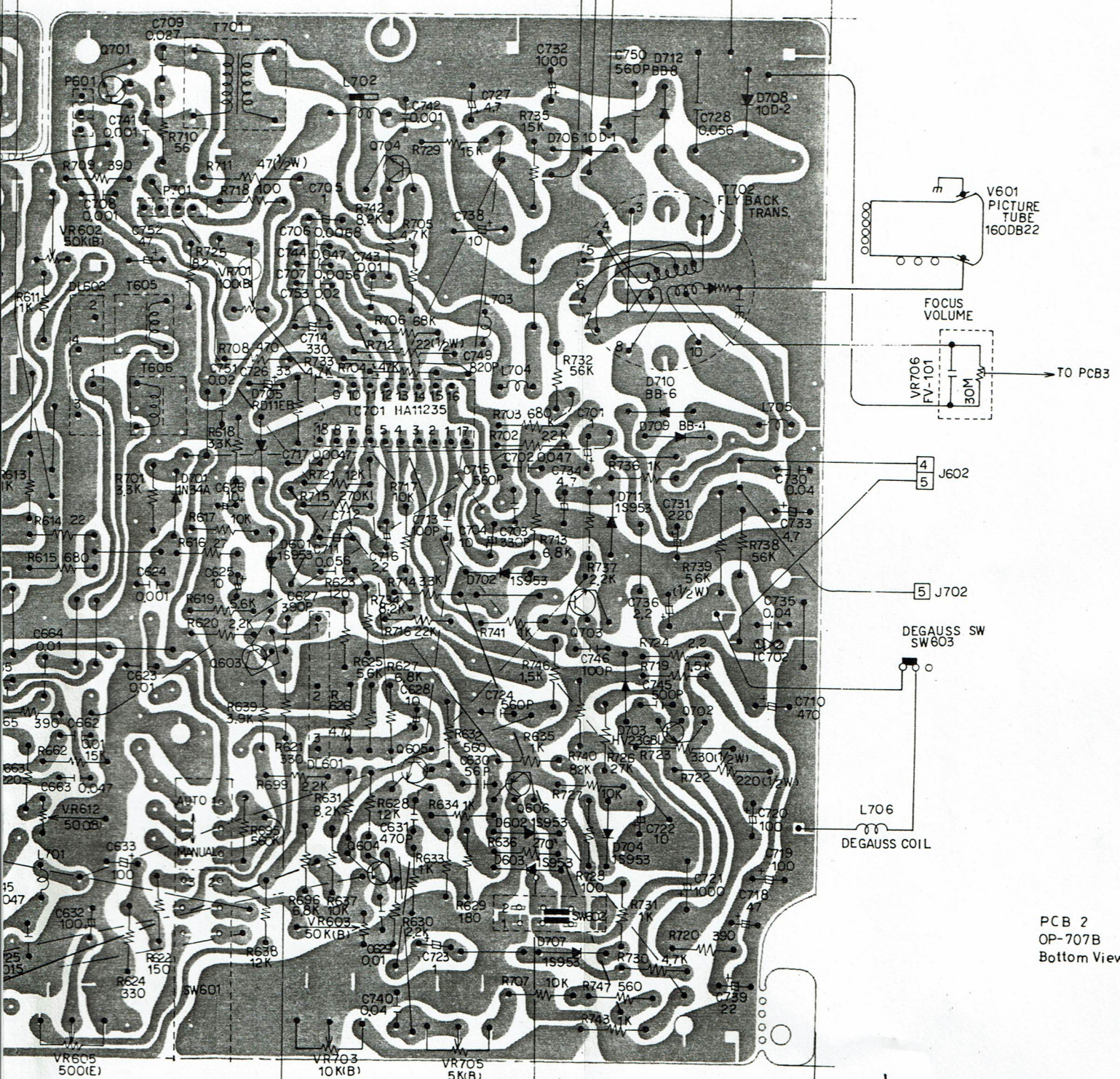
3
J603

602
2 3

J702
4 3 2 1

Q701
25C1213
25C1317
25C2001

Q704
25C2373



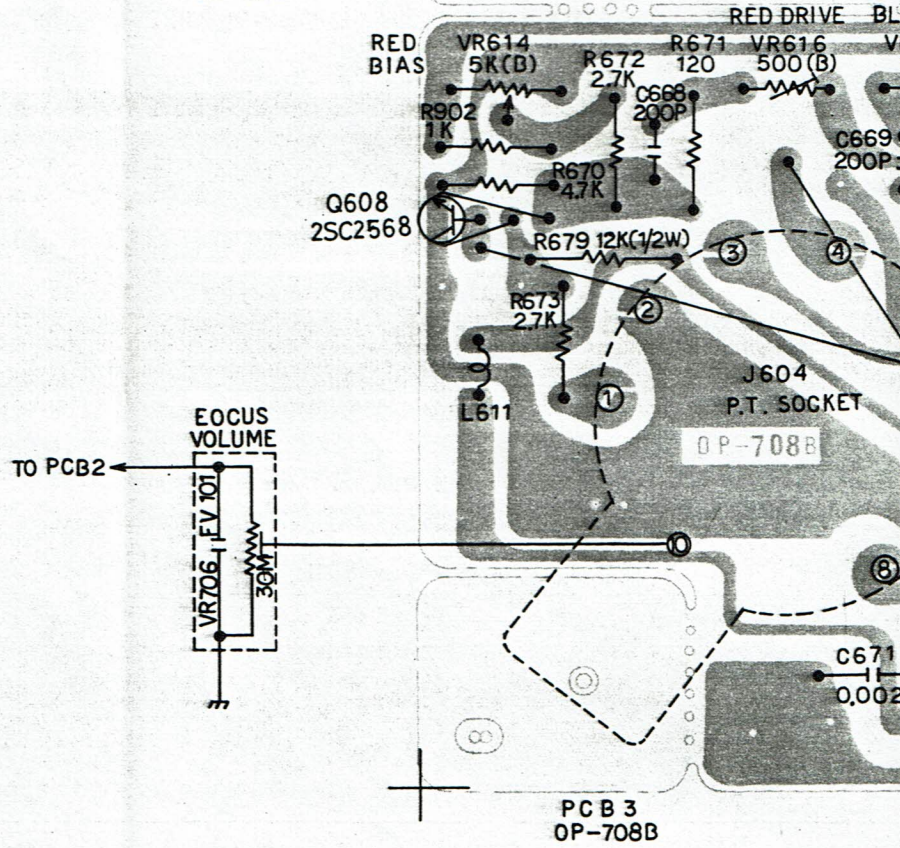
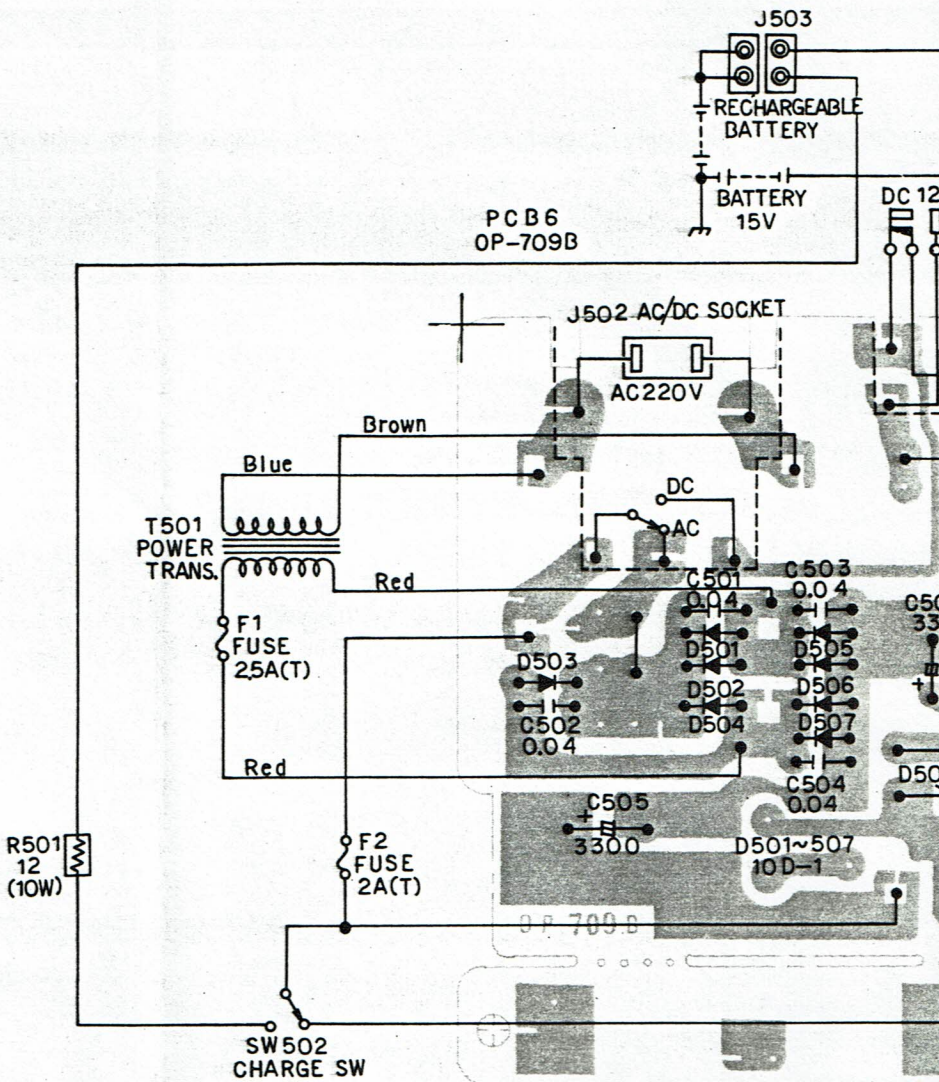
PCB 2
OP-707B
Bottom View

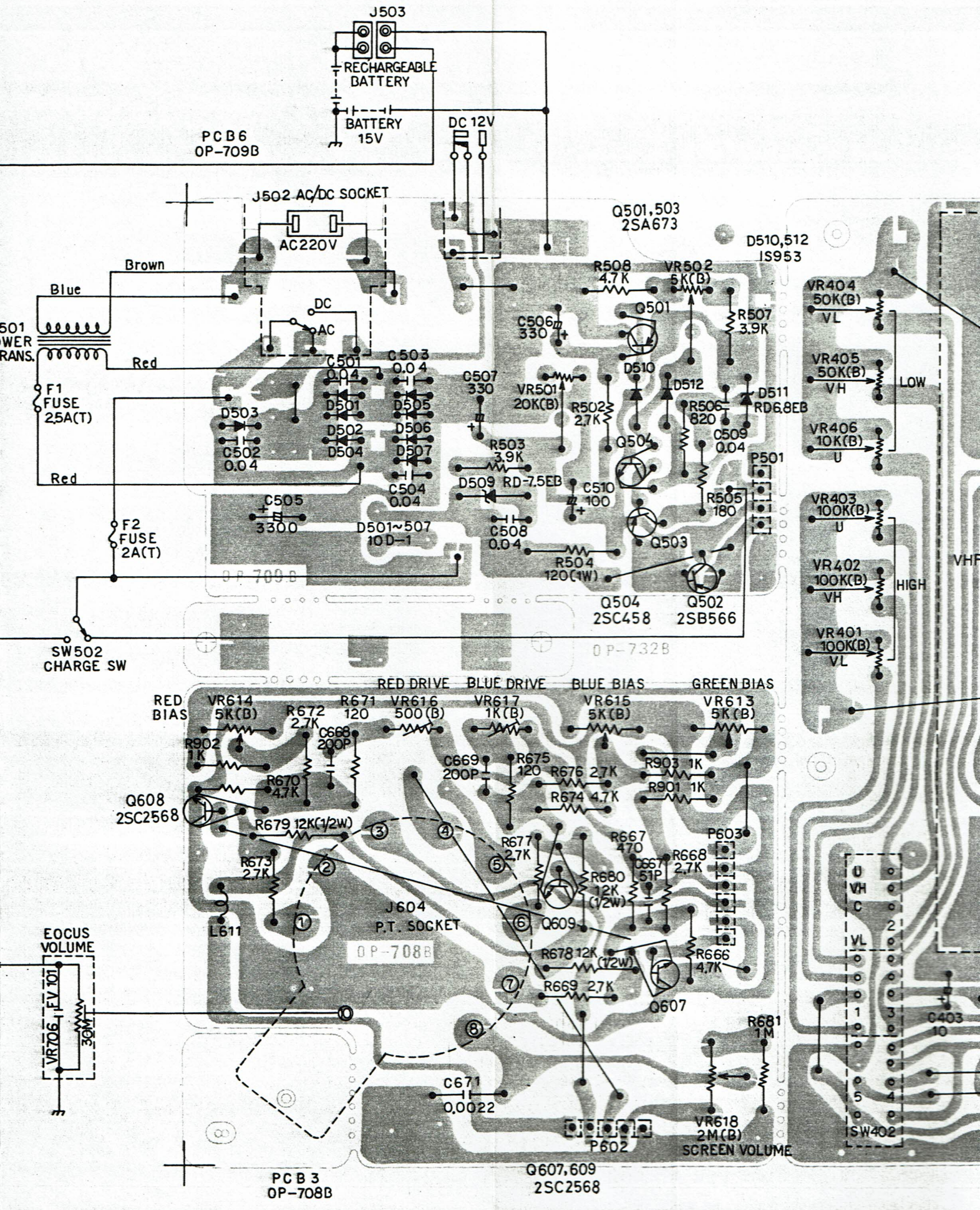
02,603,605
C454
C1675

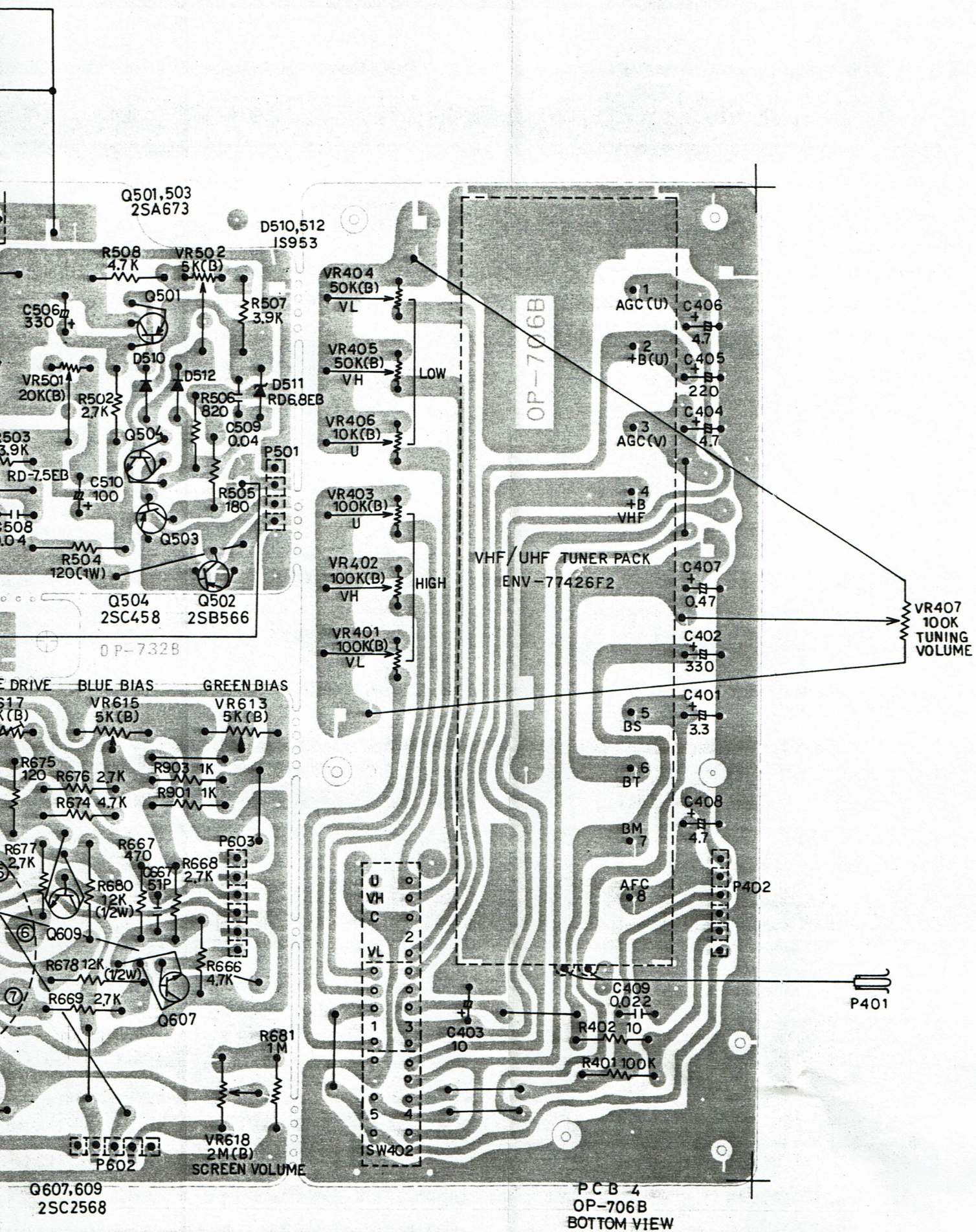
J602
Q604
25A733
25A564

Q606
25A673
25A719
25A952

J603
Q702,703
25D 745



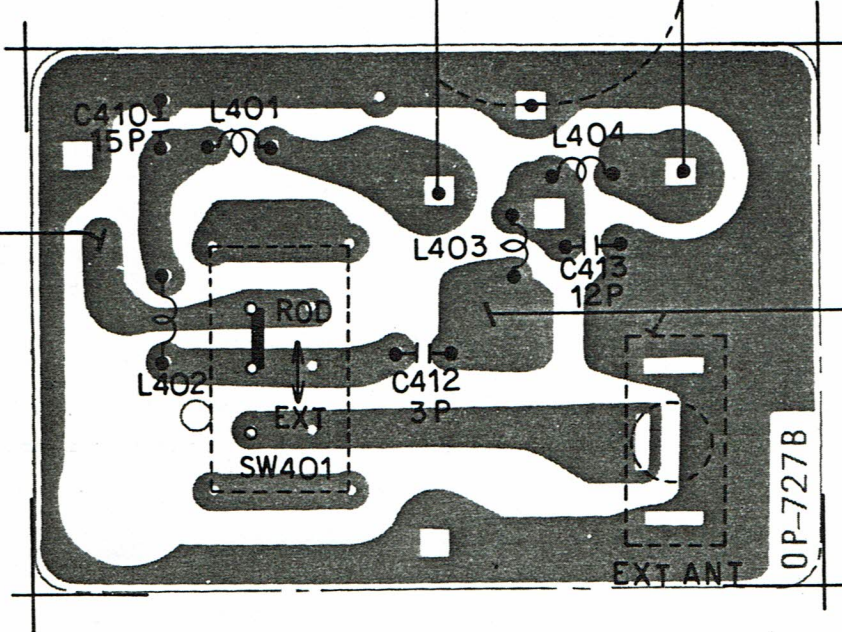




TELESCOPIC ANT

TO PCB 1

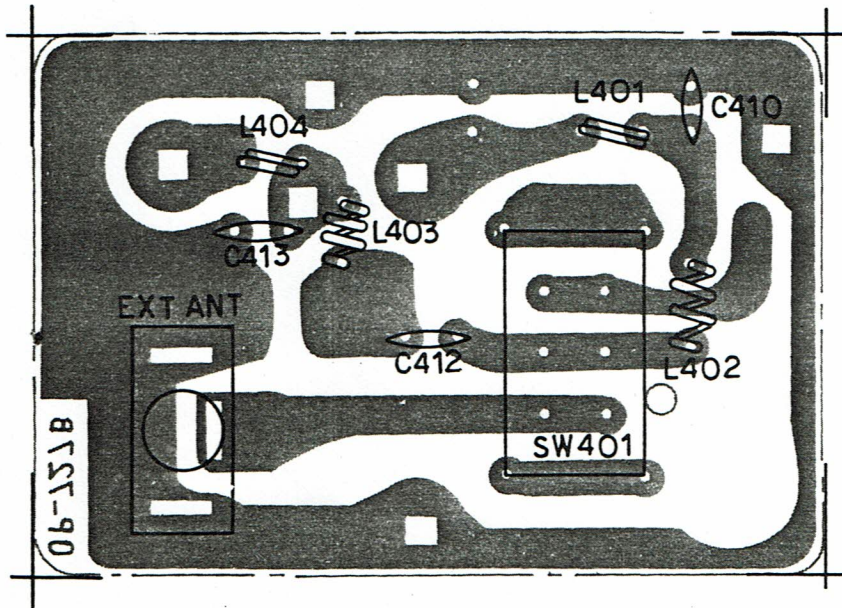
TO PCB 1



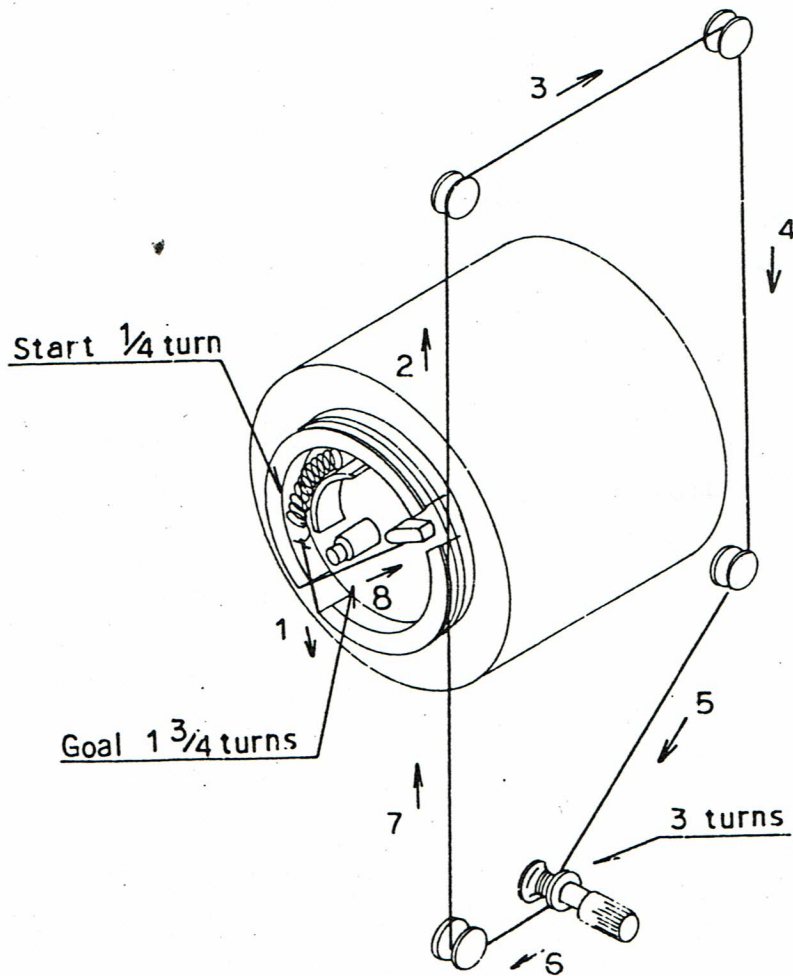
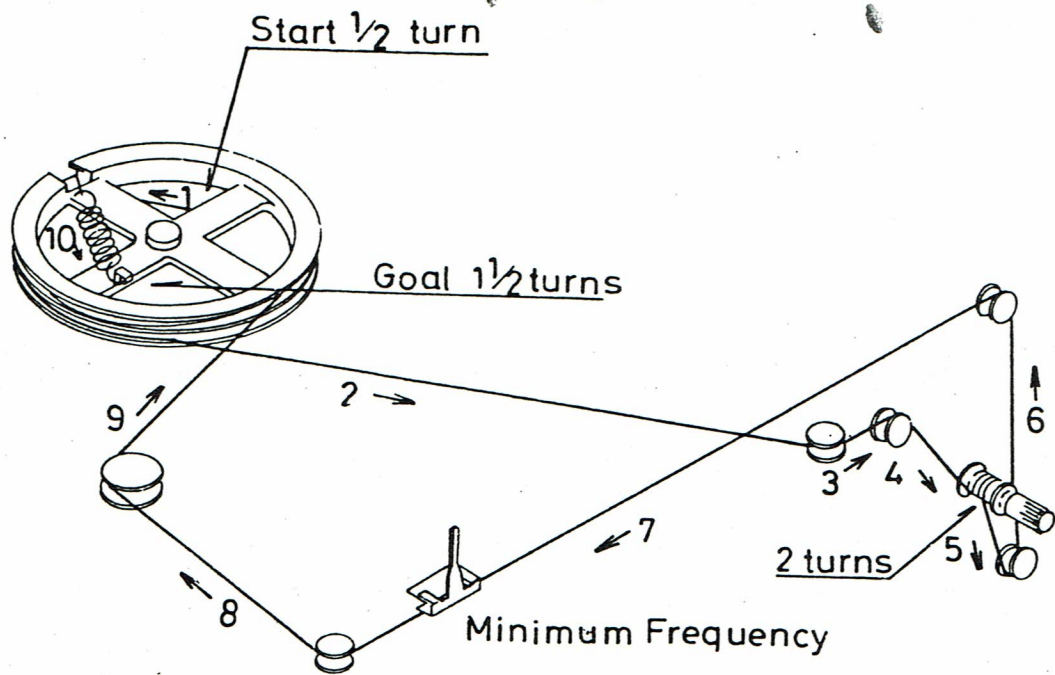
PCB 4
TUNER
PACK

ANT

PCB 5
OP-727B
Bottom View



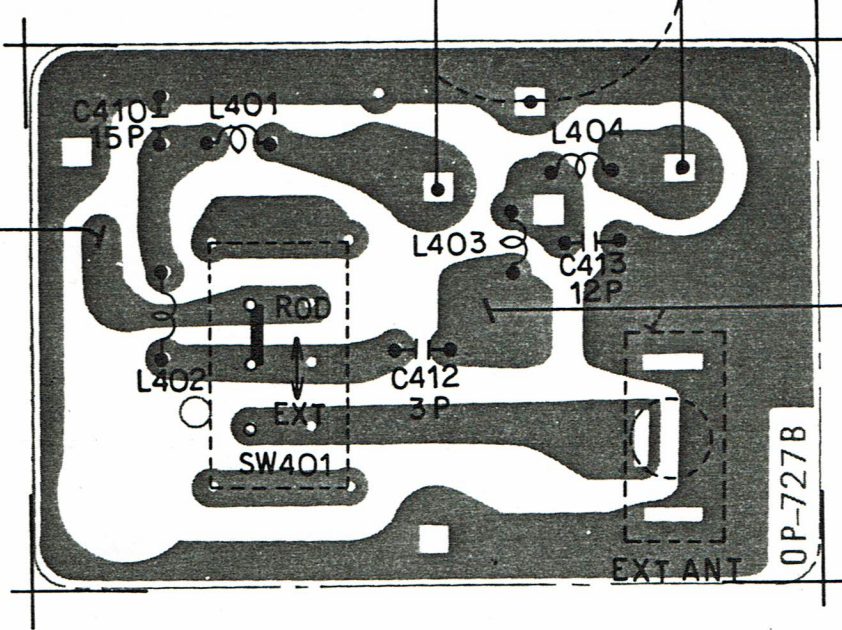
PCB 5
OP-727B
Top View



TELESCOPIC ANT

TO PCB 1

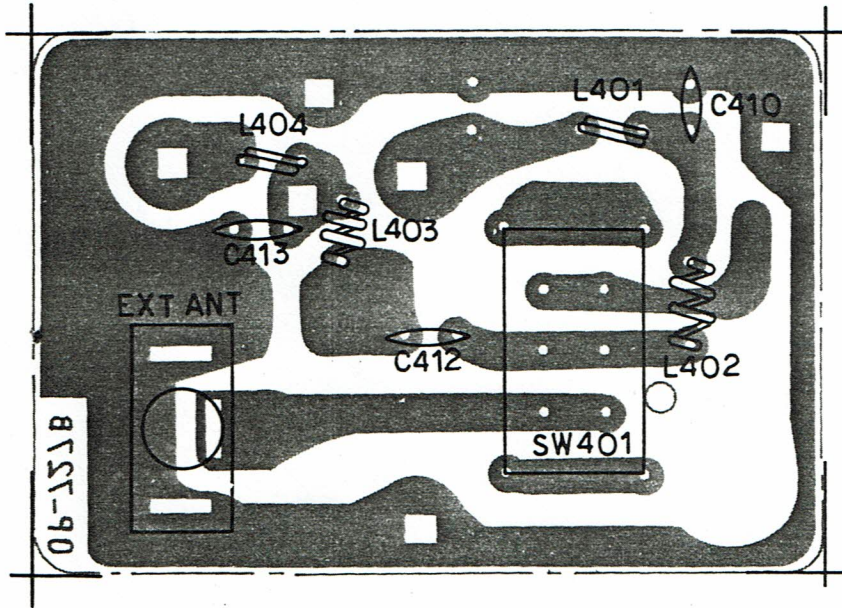
TO PCB 1



PCB 4
TUNER
PACK

ANT

PCB 5
OP-727B
Bottom View



PCB 5
OP-727B
Top View

