

ISP[®]

International Sound Products

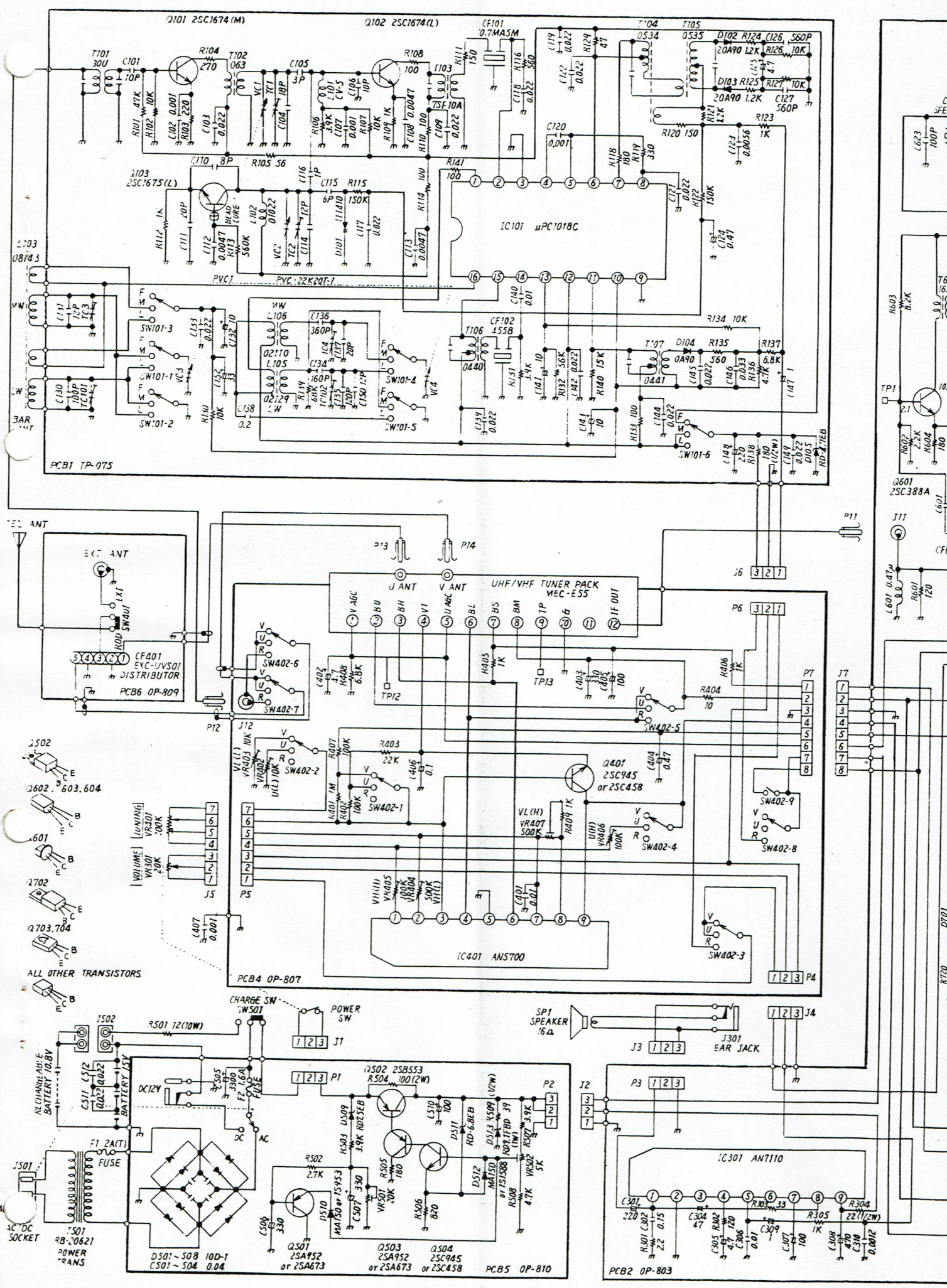
***service
manual***

TV

Radio

color 8501





2101 2SC1674 (M)

2102 2SC1674 (L)

CF101 0.7MASM

F104

F105

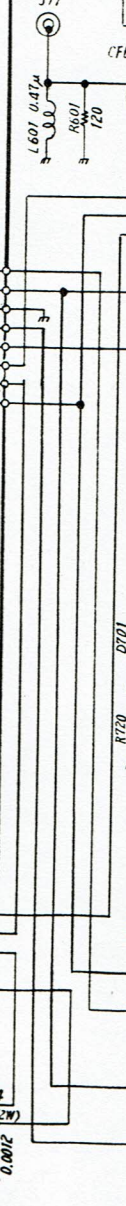
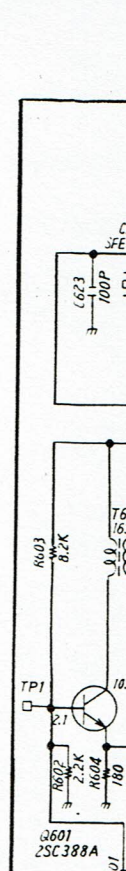
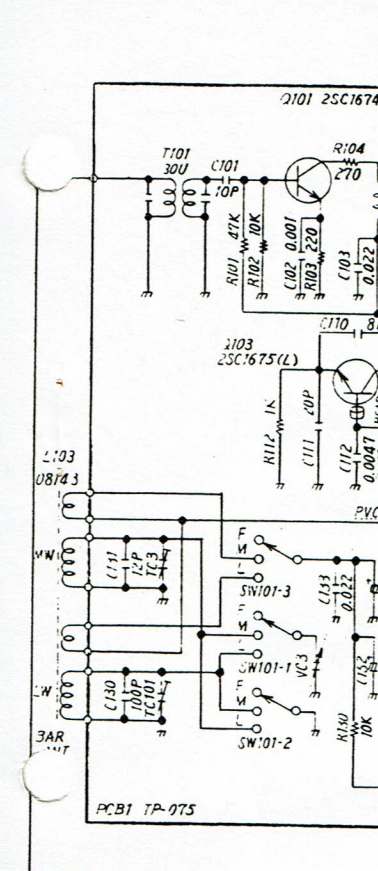
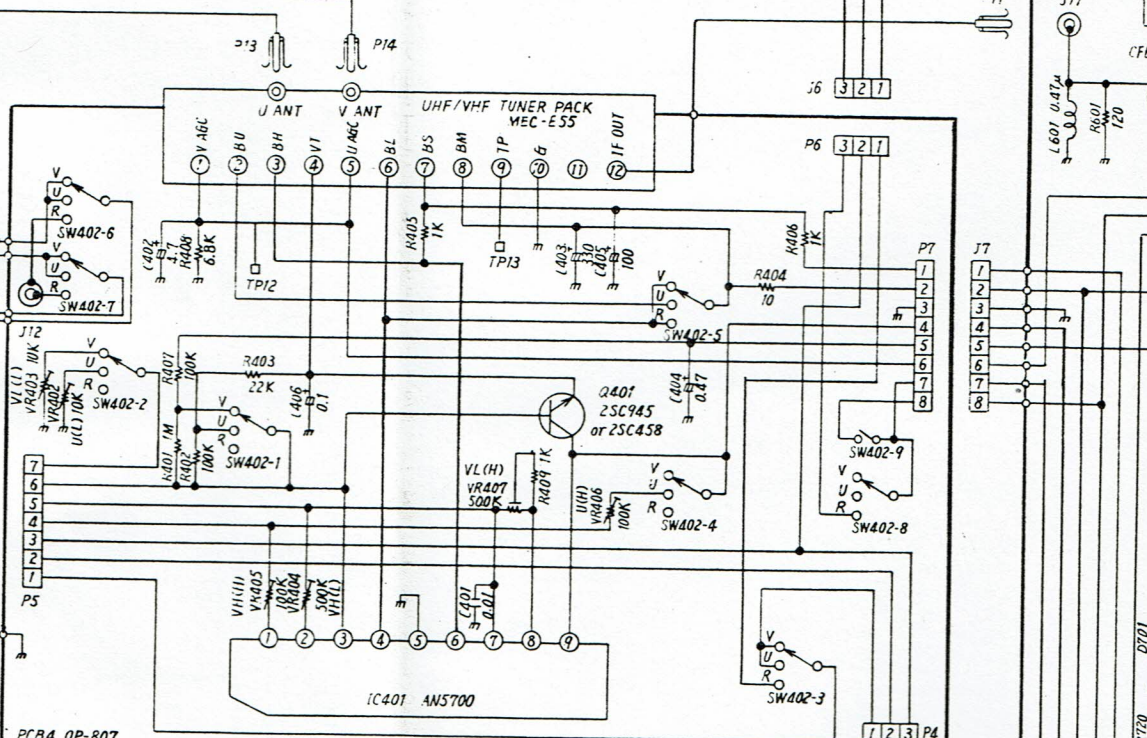
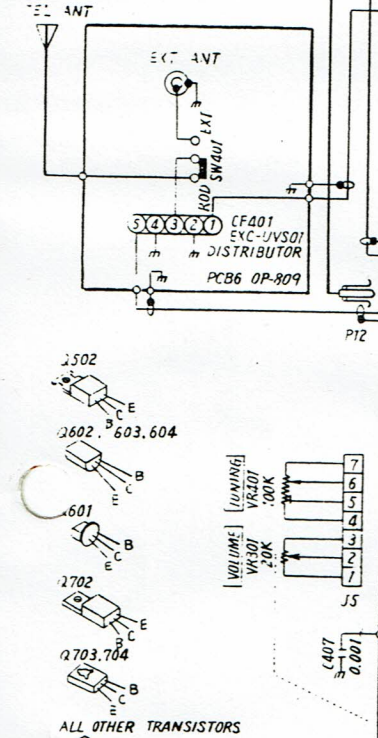
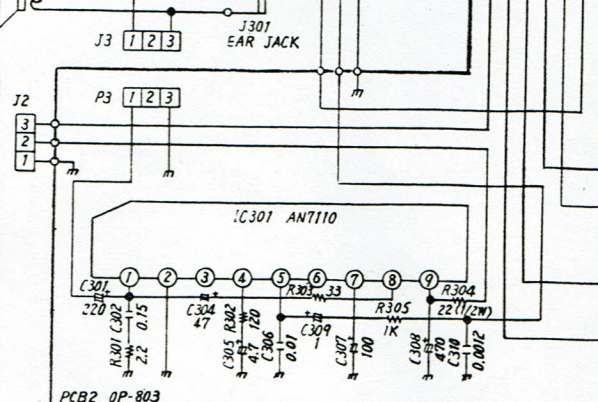
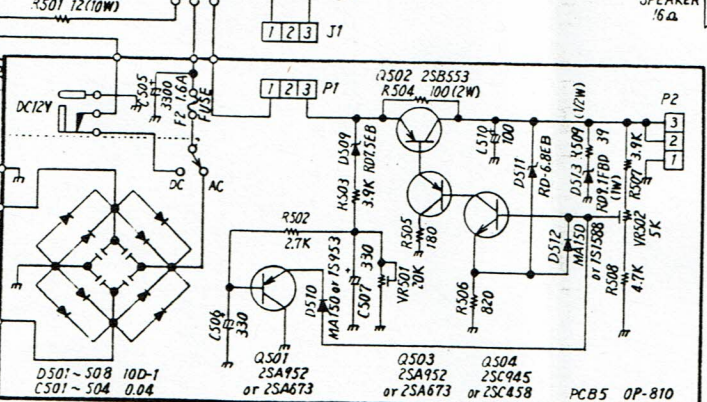
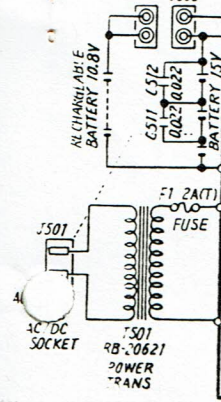
2103 2SC1675 (L)

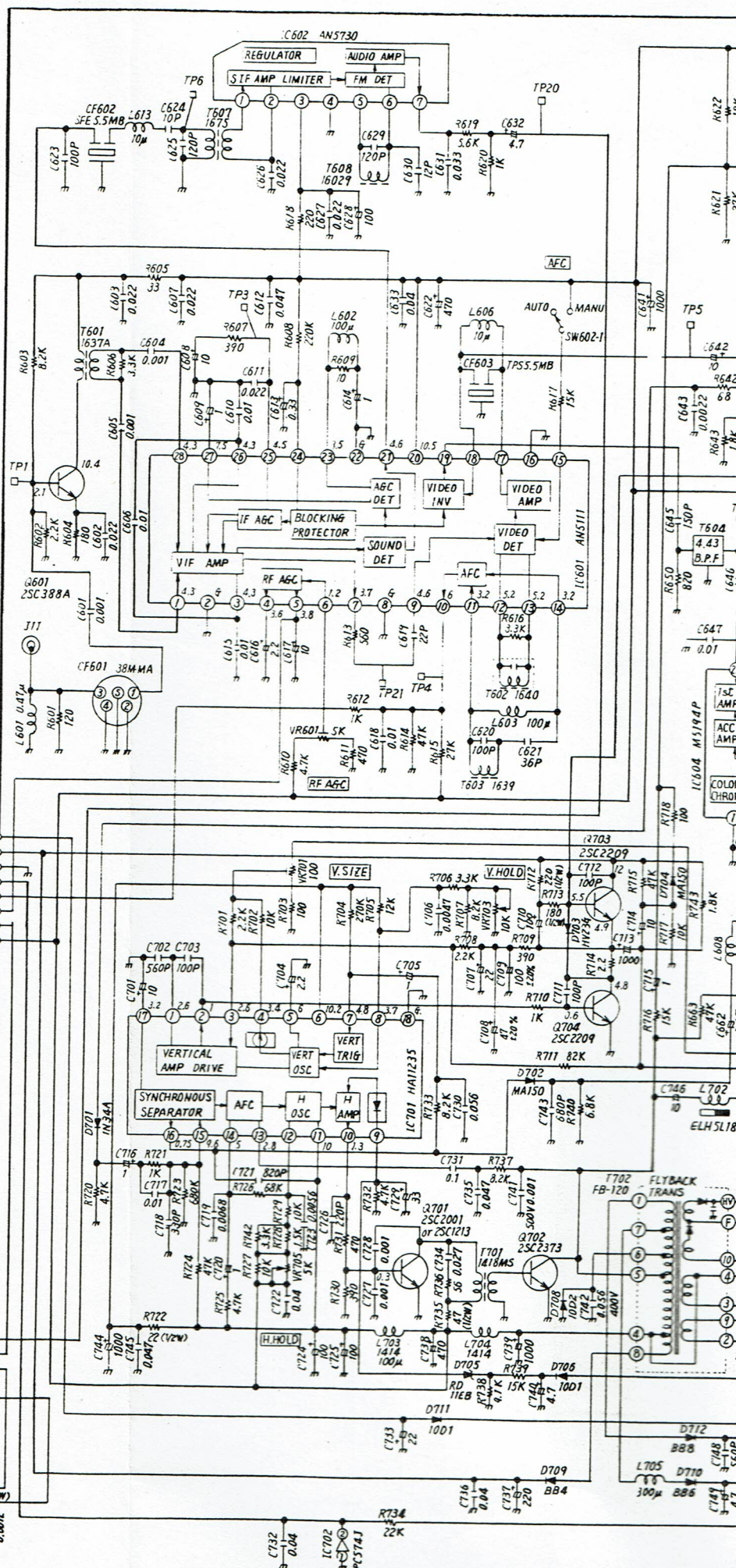
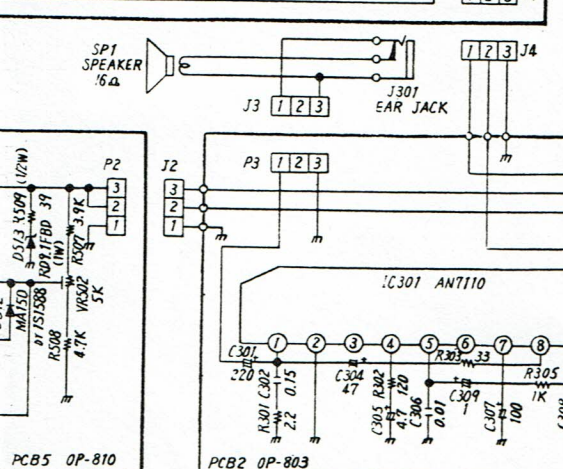
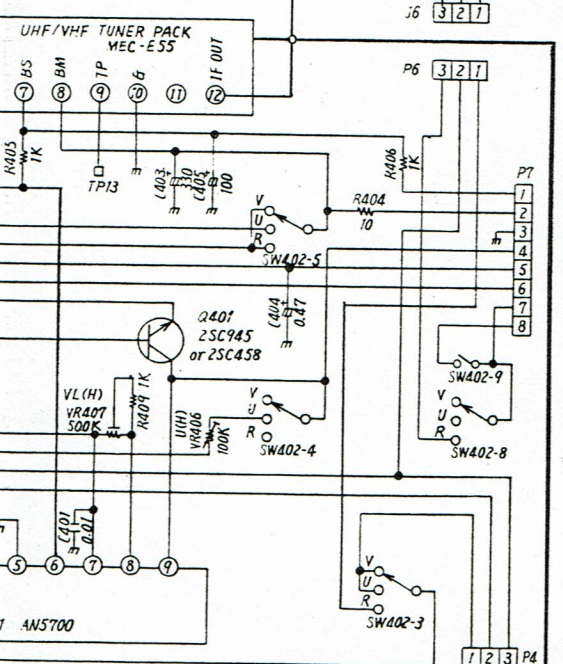
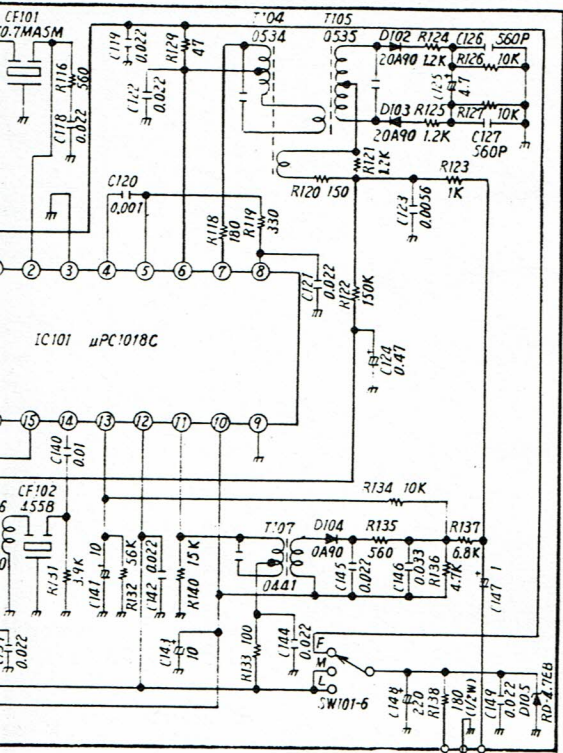
IC101 μ PC'018C

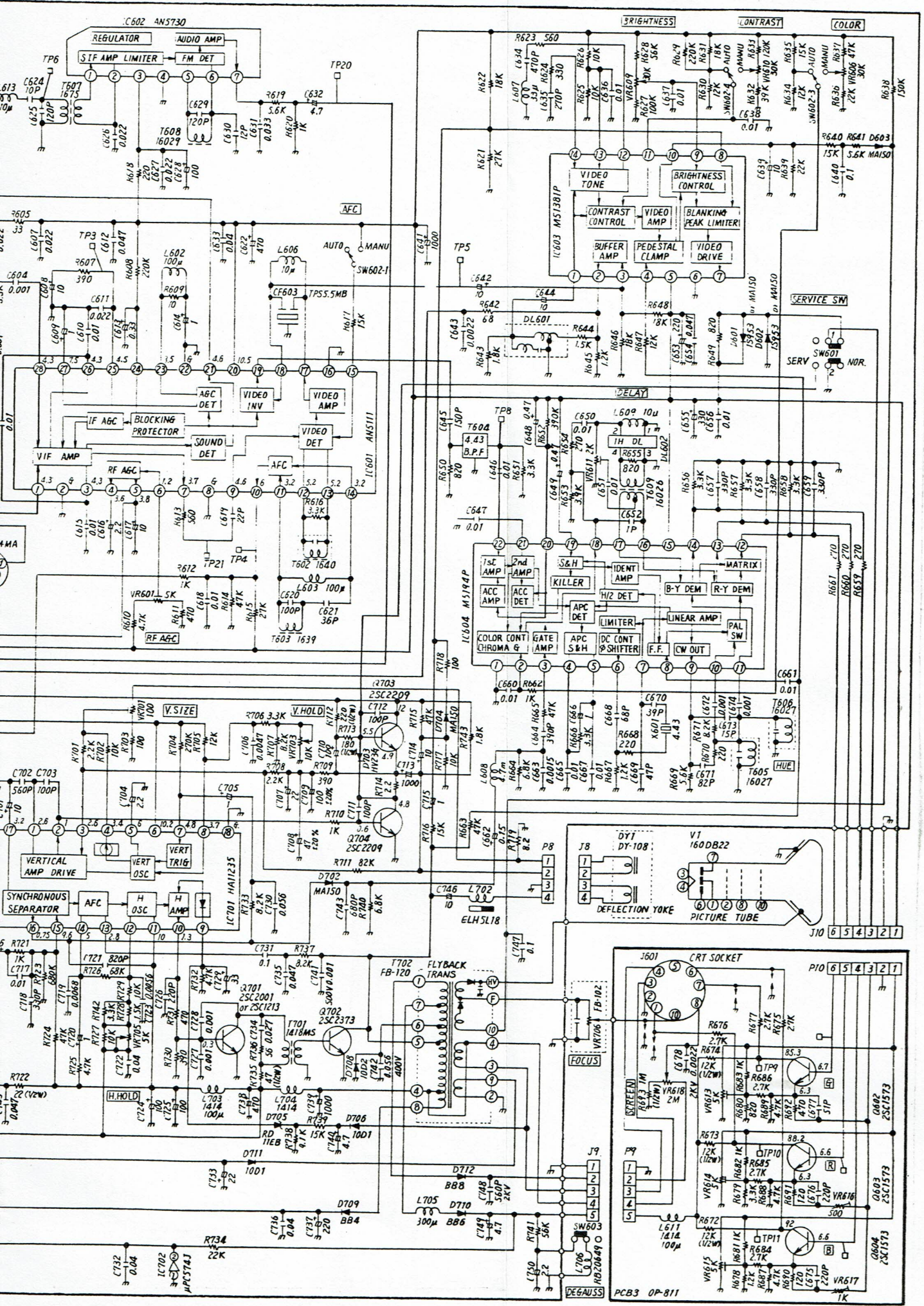
CF102 455B

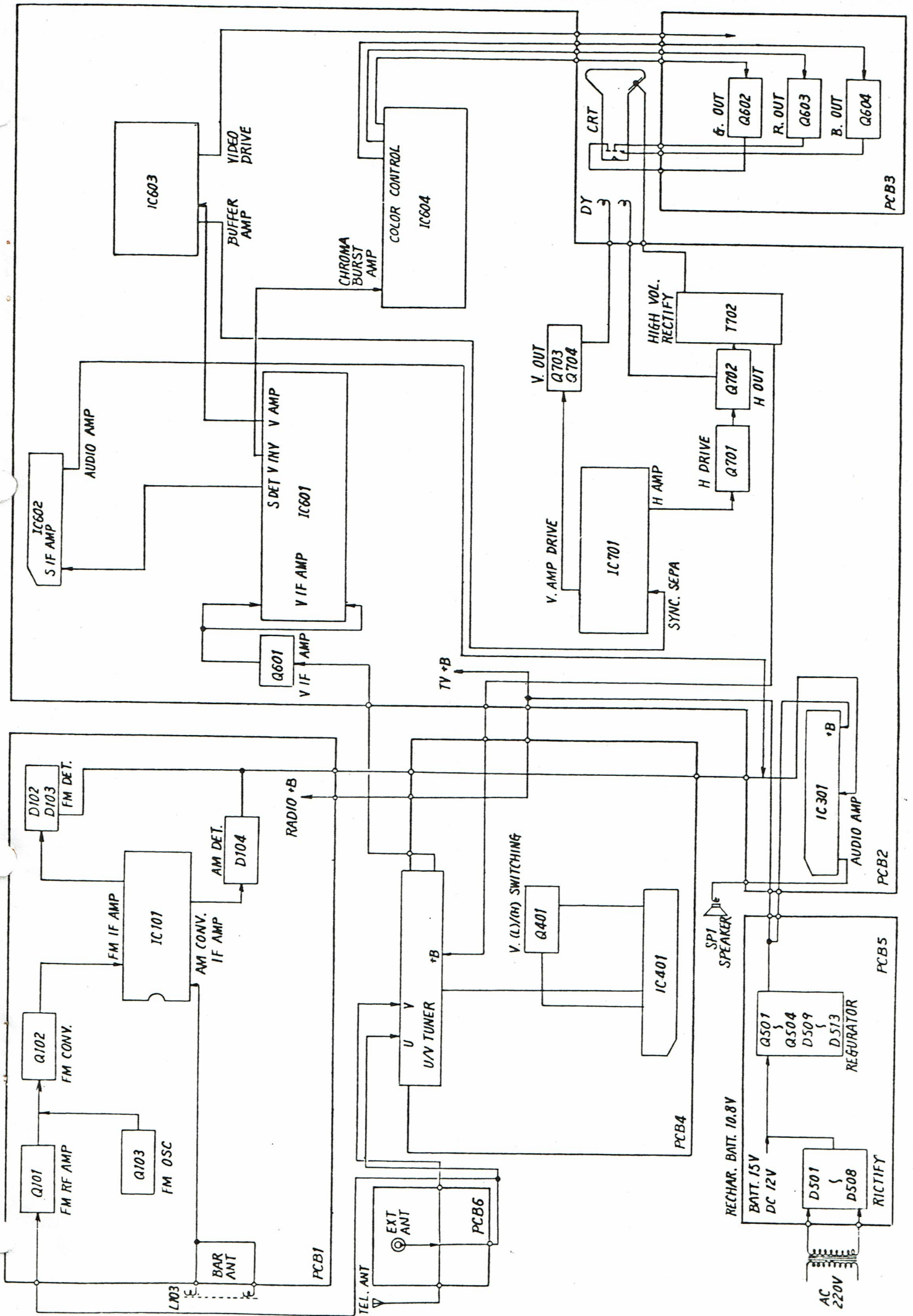
IC401 ANS700

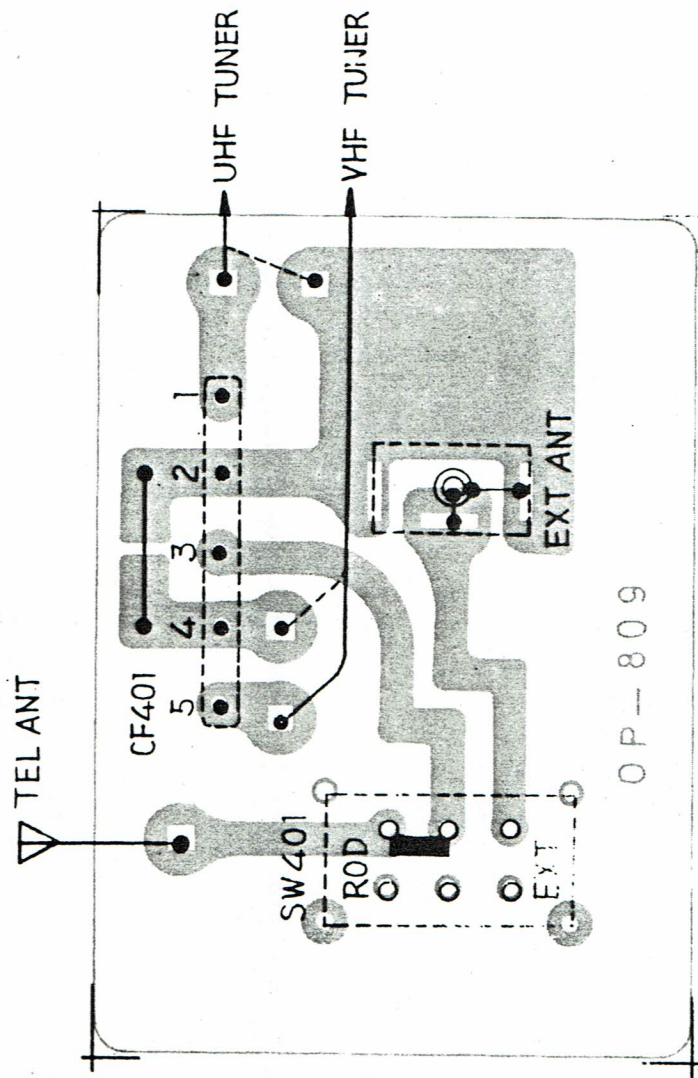
IC301 AN7110



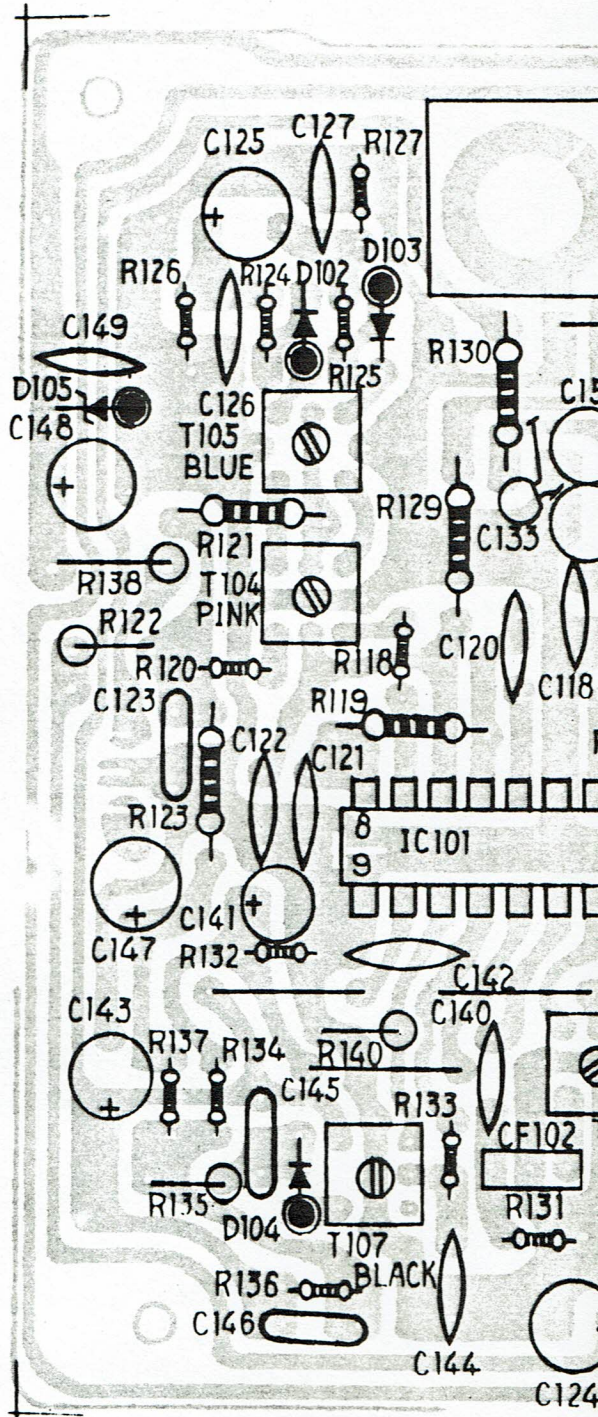


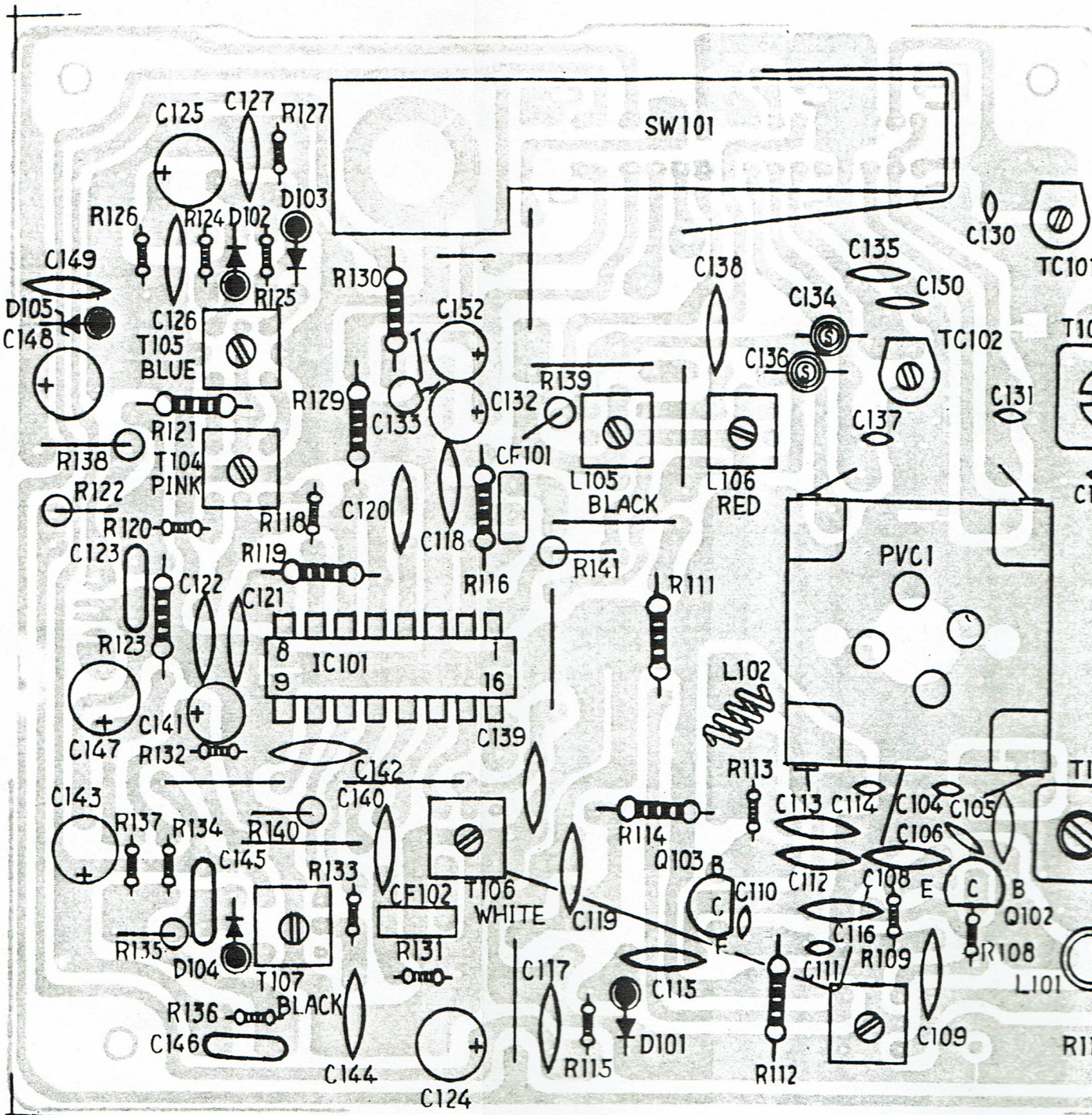


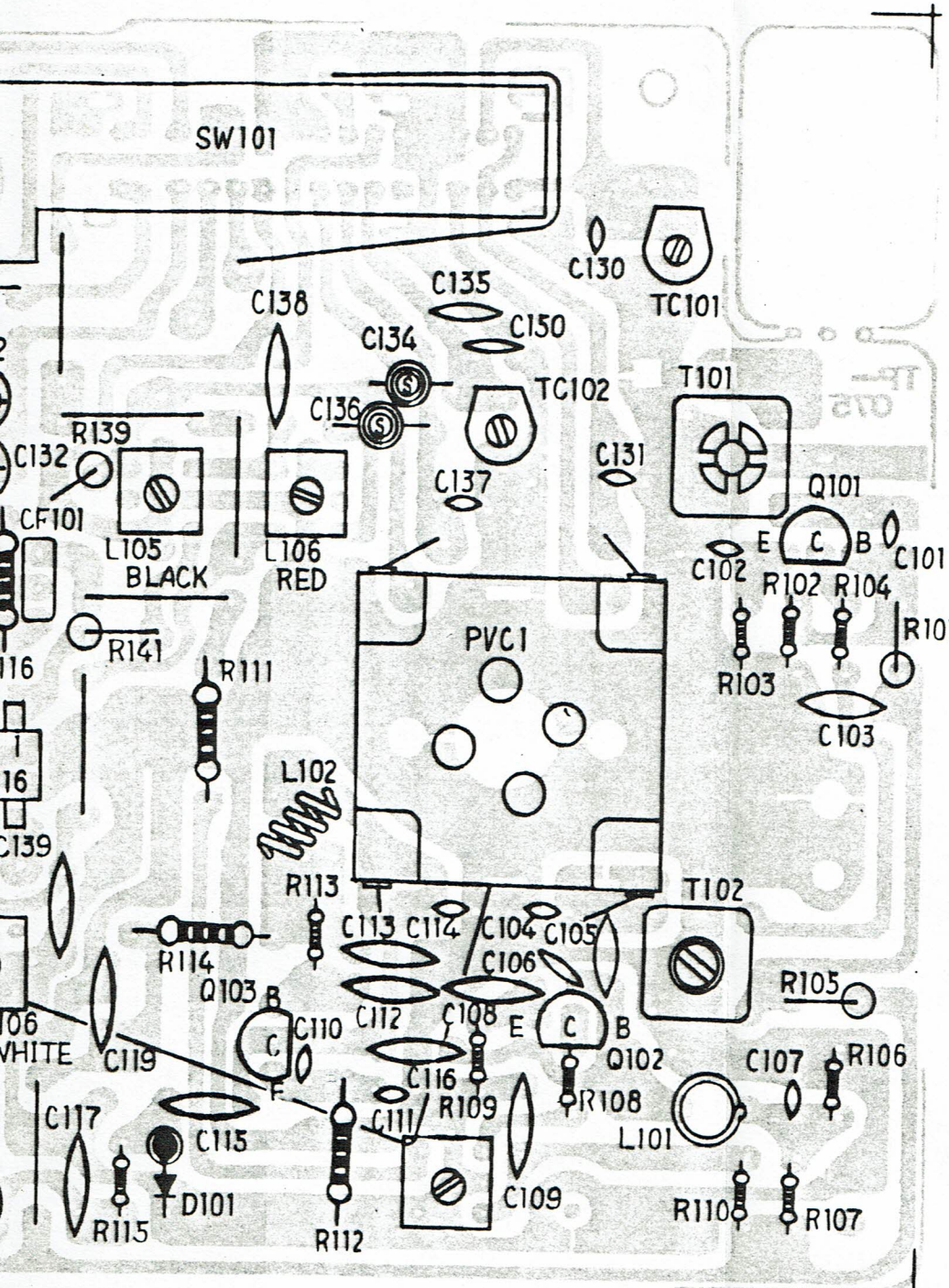




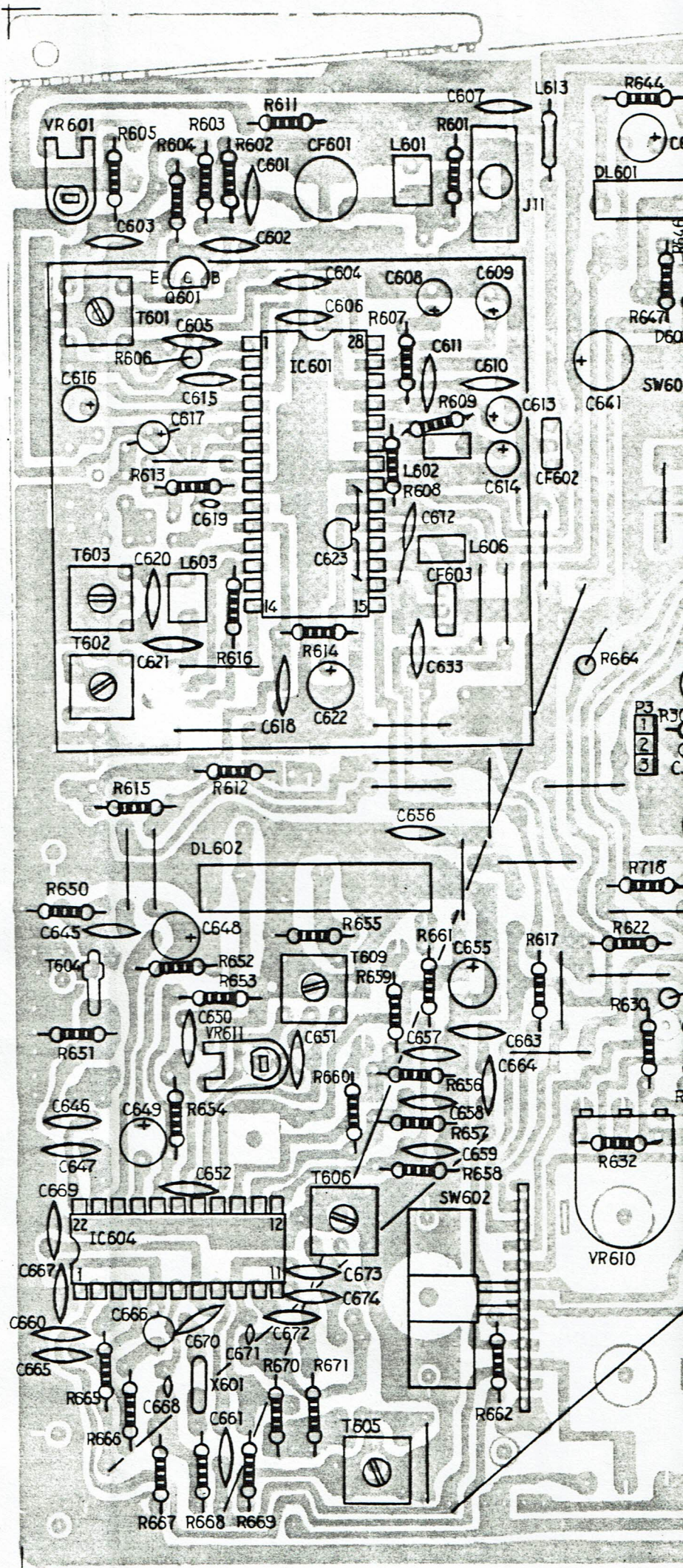
PCB6 OP-809
BOTTOM VIEW

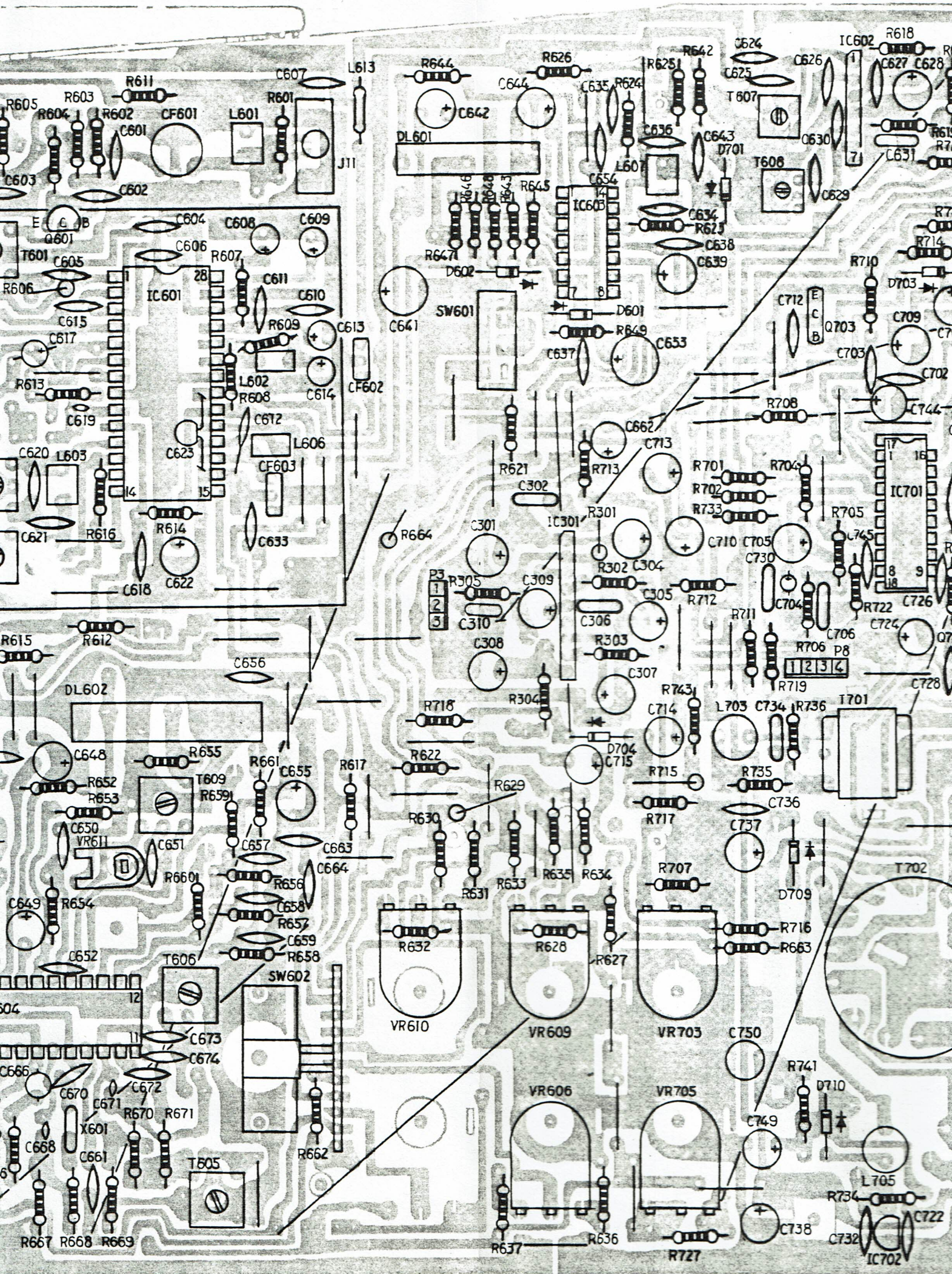


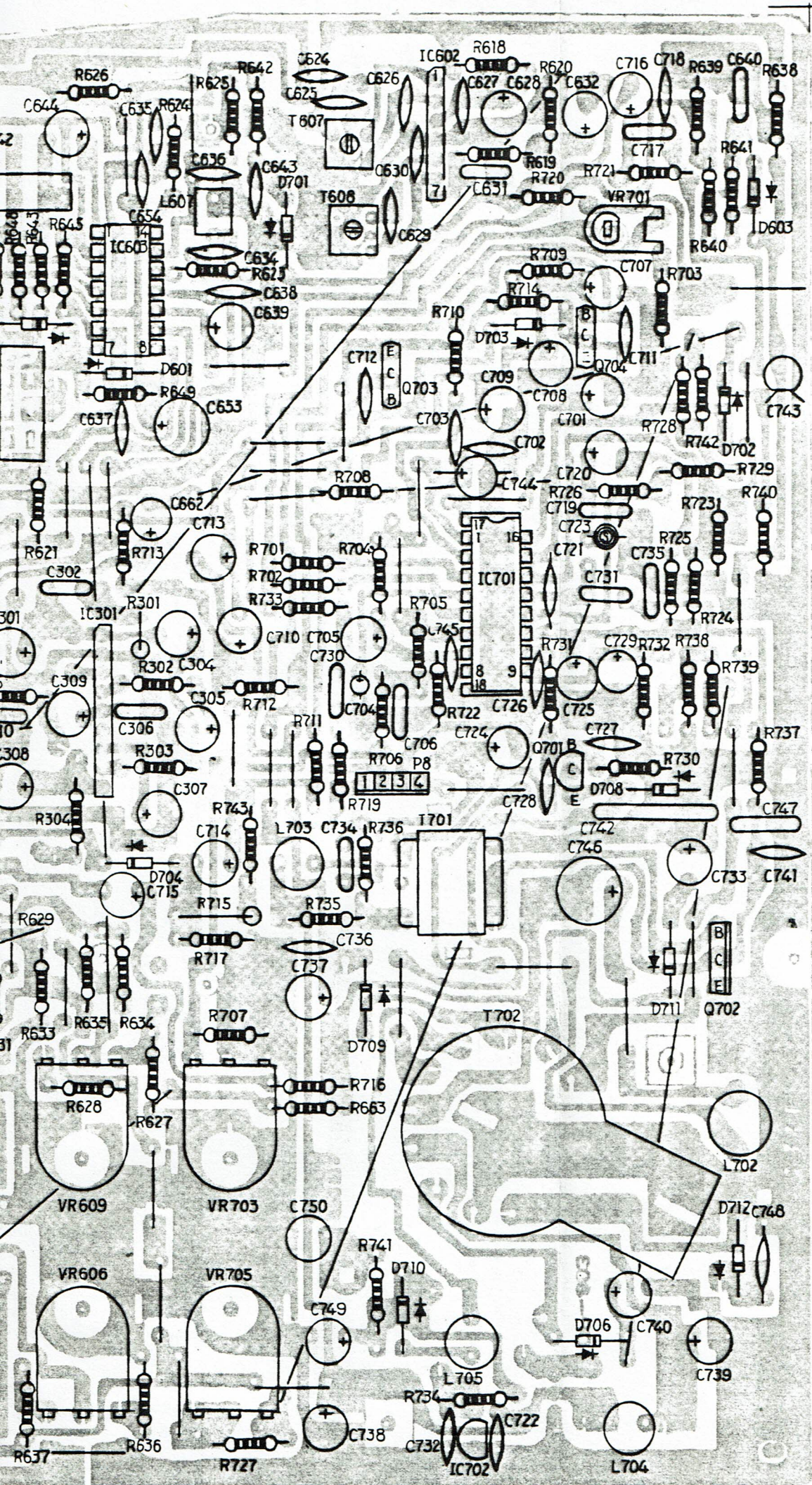




PCB1 TP 075
TOP VIEW





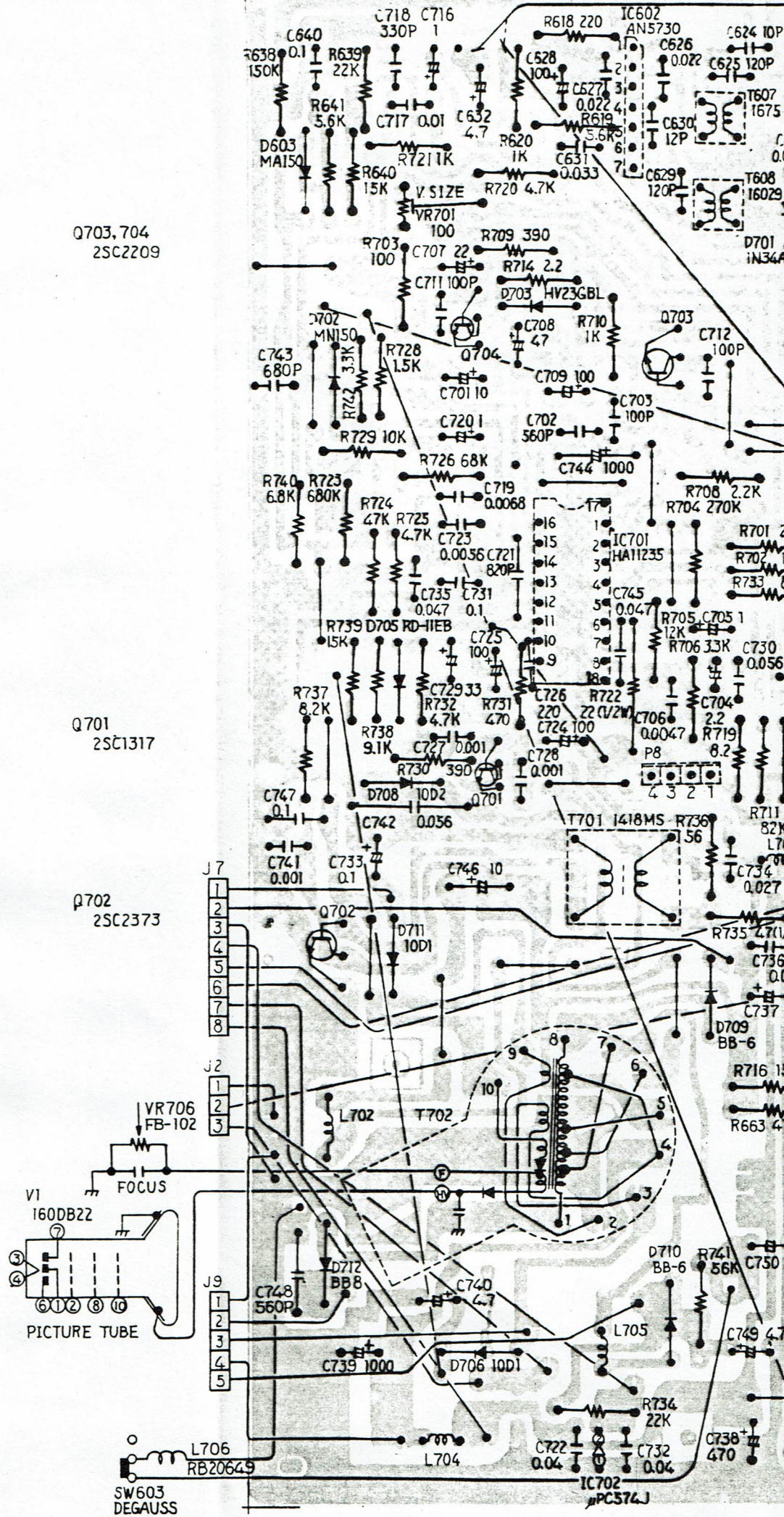


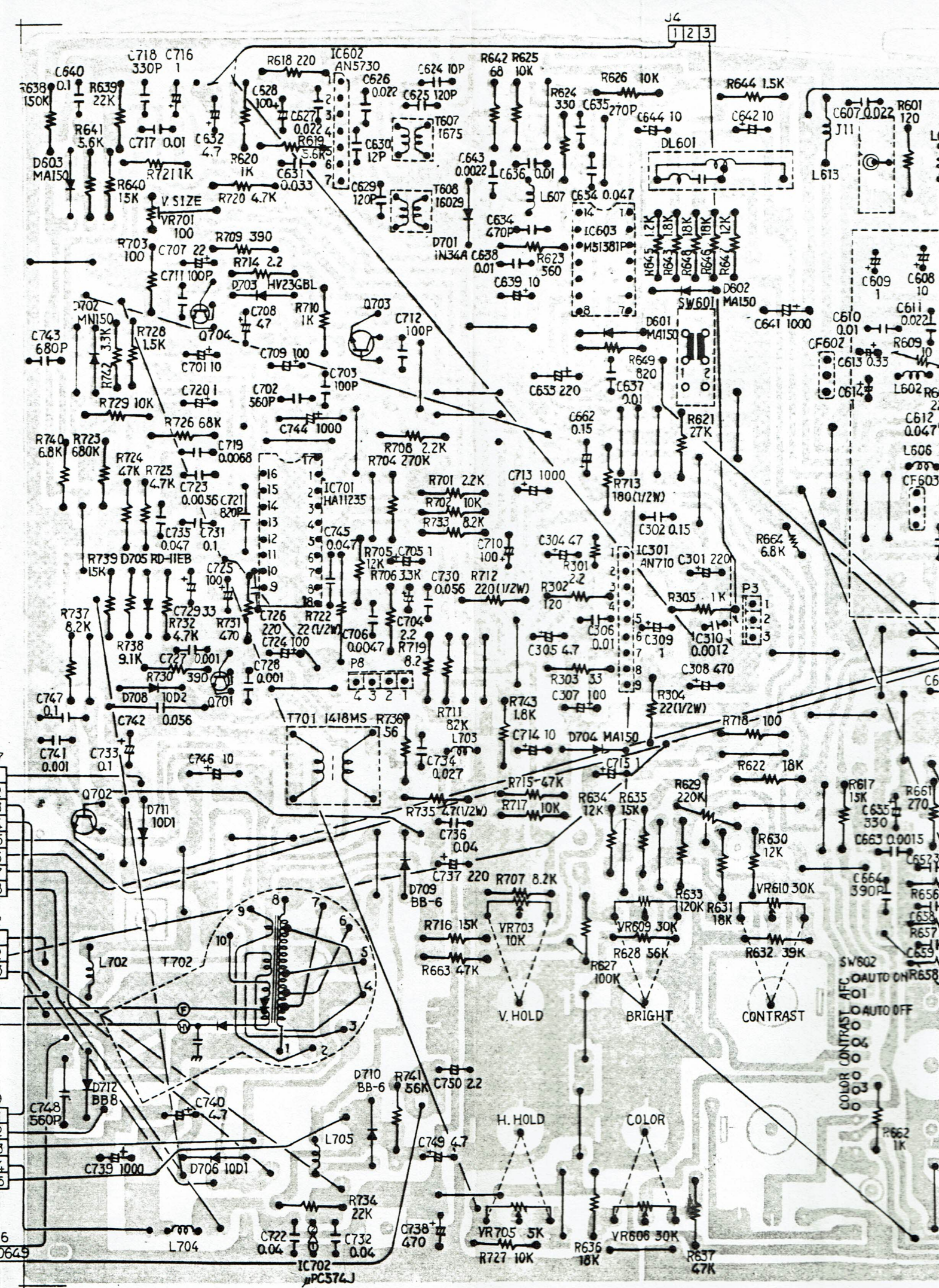
PCB2 OP-803
TOP VIEW

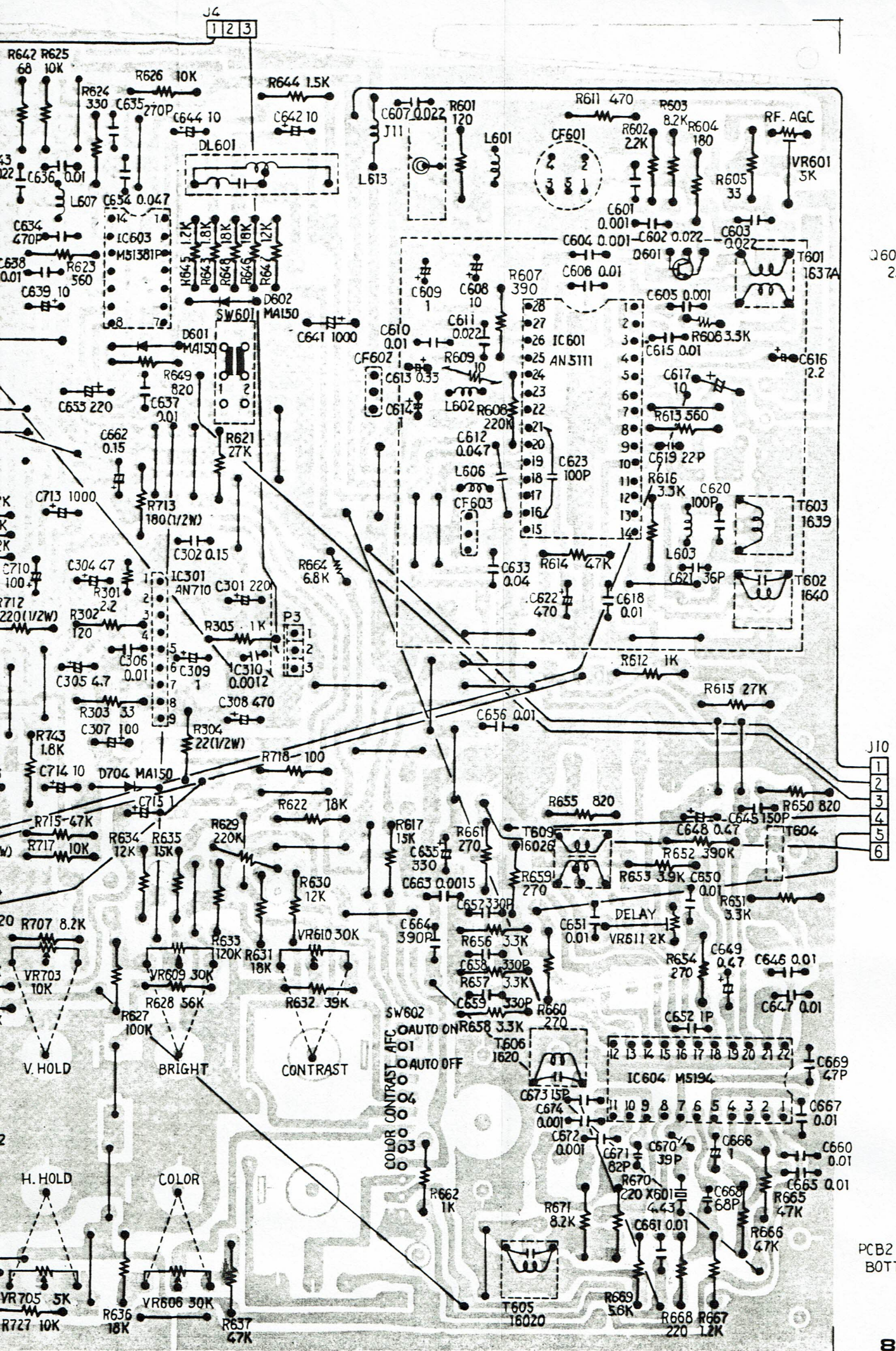
Q703, 704
25C2209

Q701
25C1317

Q702
25C2373







Q601
2SC388A

- J10
- 1
- 2
- 3
- 4
- 5
- 6

PCB2 0P-803
BOTTOM VIEW