

**ISP**<sup>®</sup>

International Sound Products

# *service manual*

**TV**

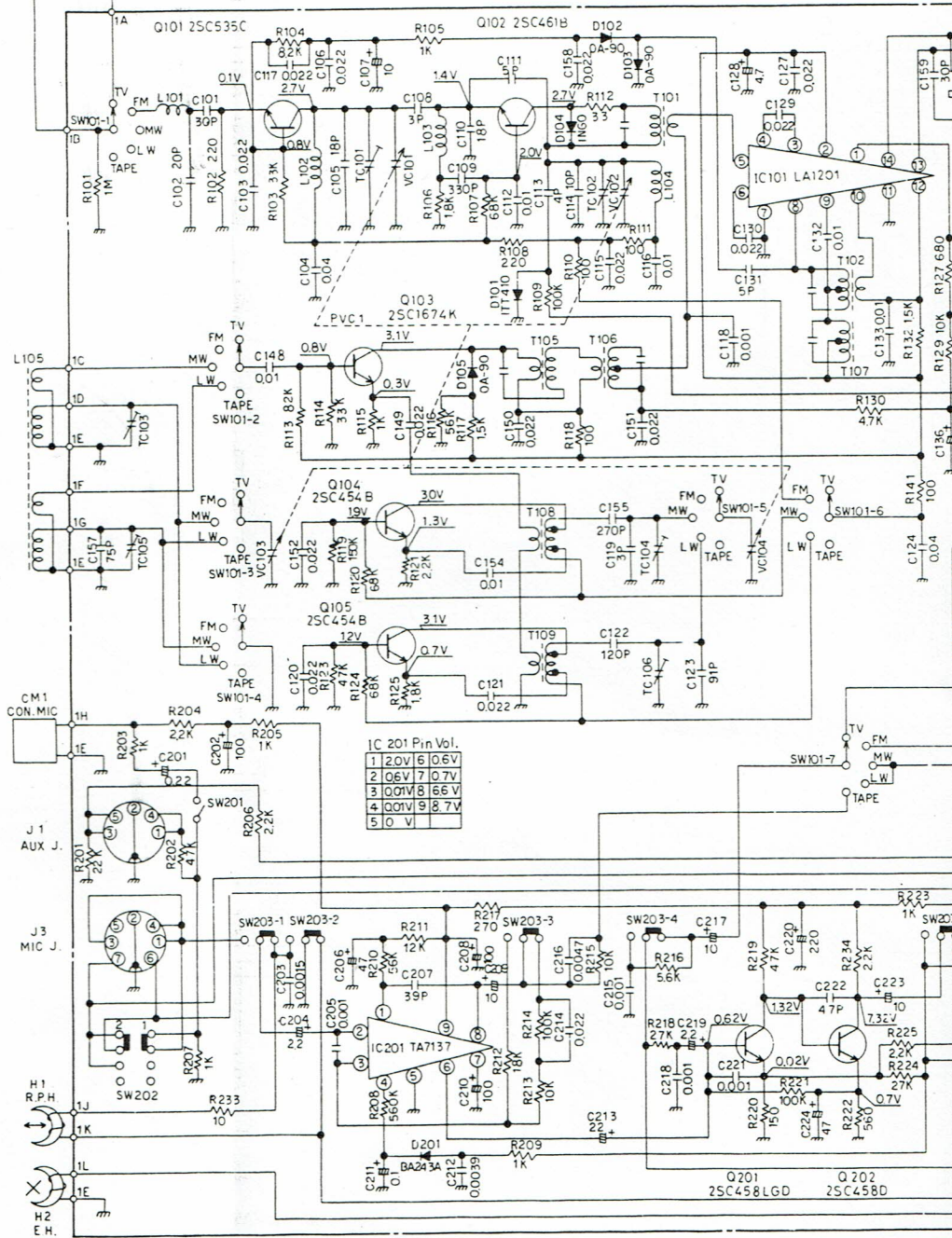
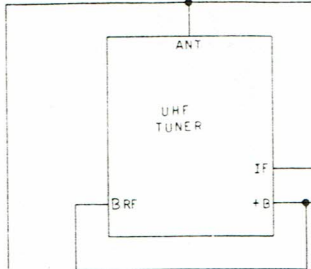
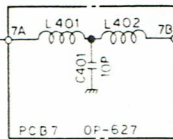
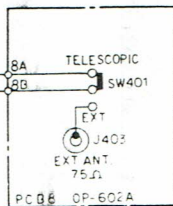
**Radio**

**Cassette**

**COMBI 4020**



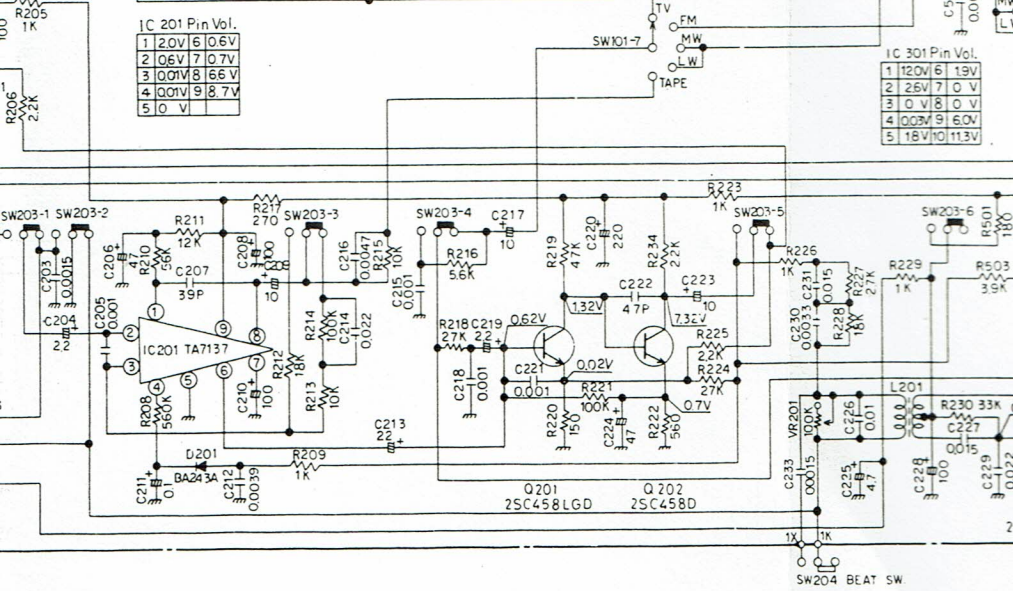
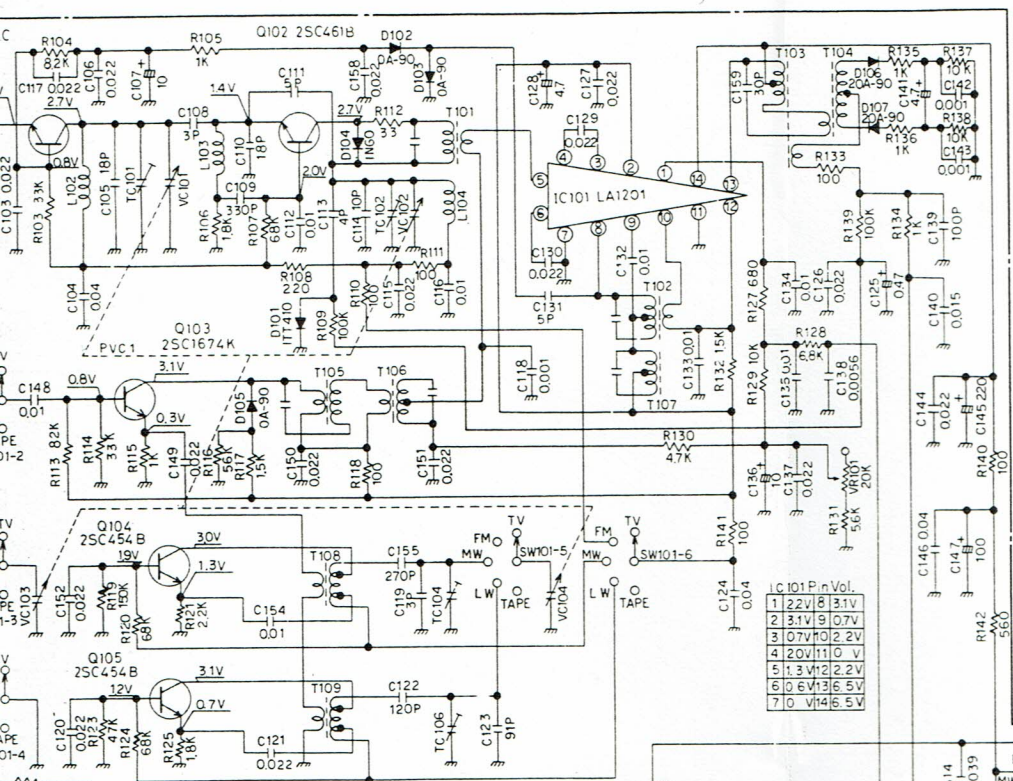
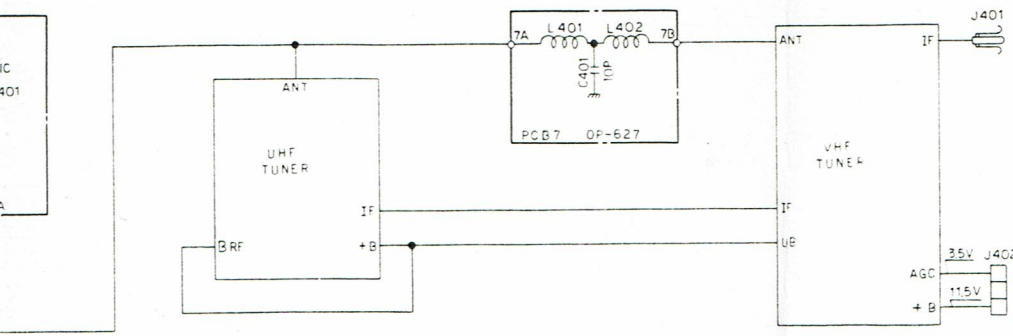
TELESCOPIC ANT



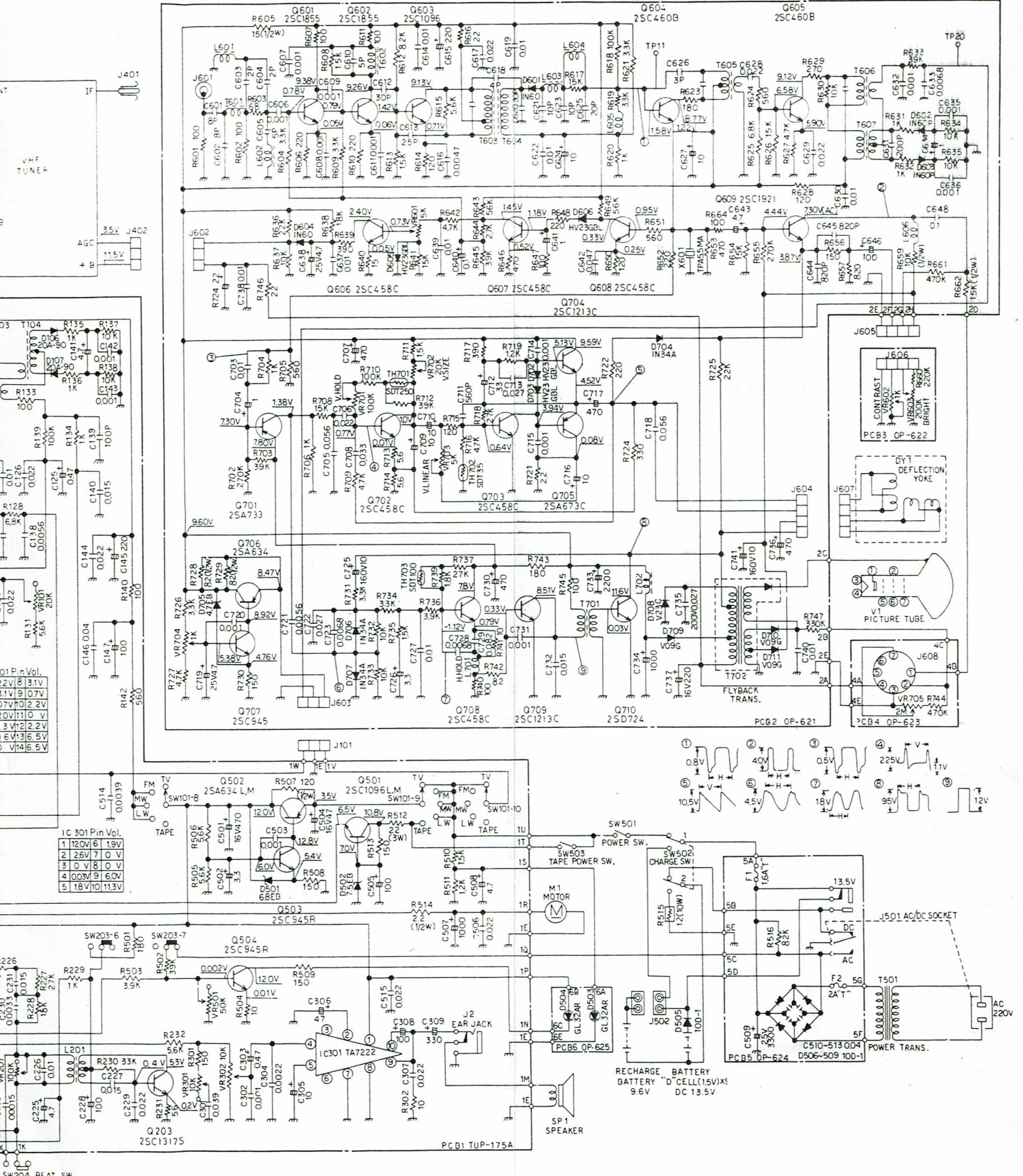
IC 201 Pin Vol.

1	2.0V	0.6V
2	0.6V	0.7V
3	0.0V	0.6V
4	0.0V	0.8V
5	0.0V	0.7V



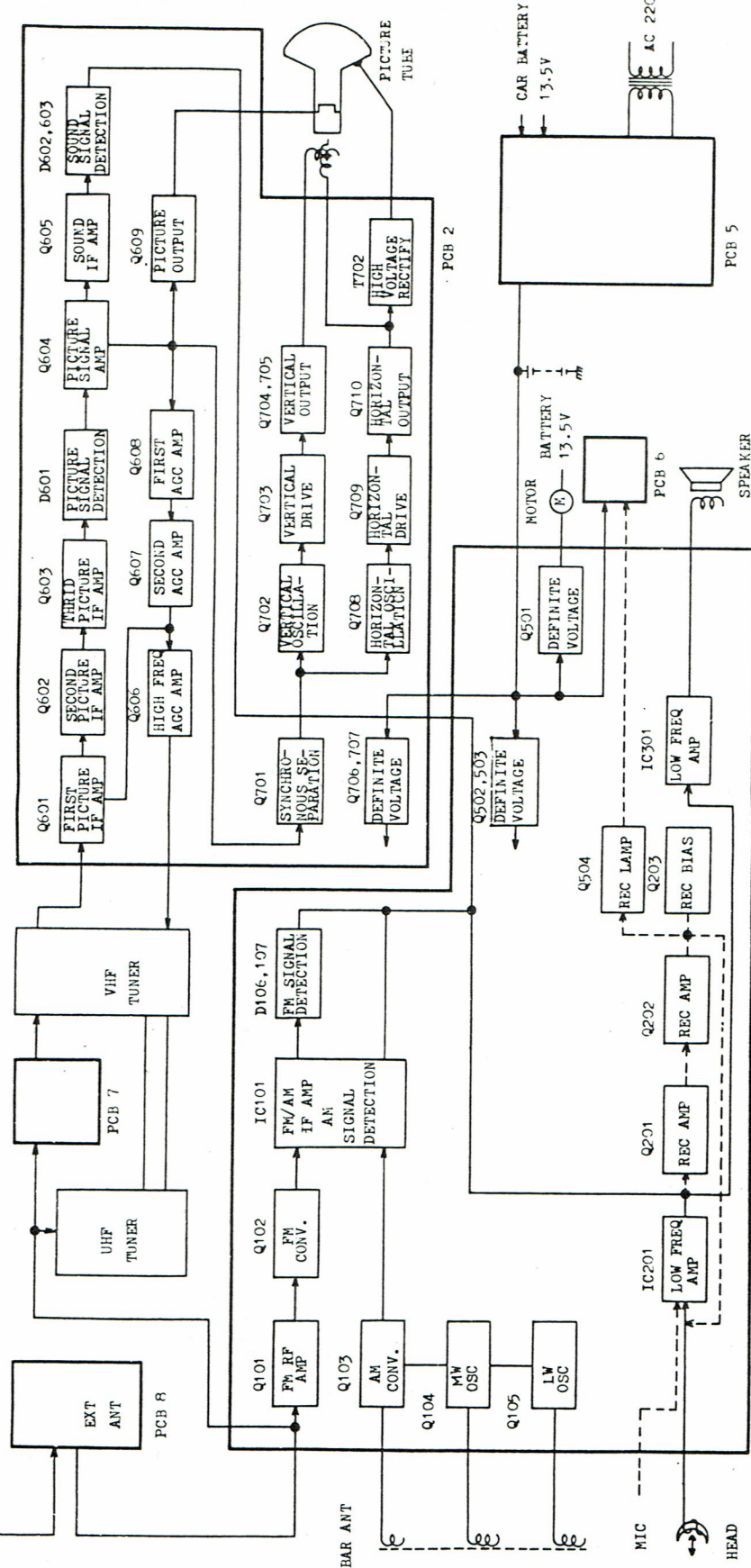




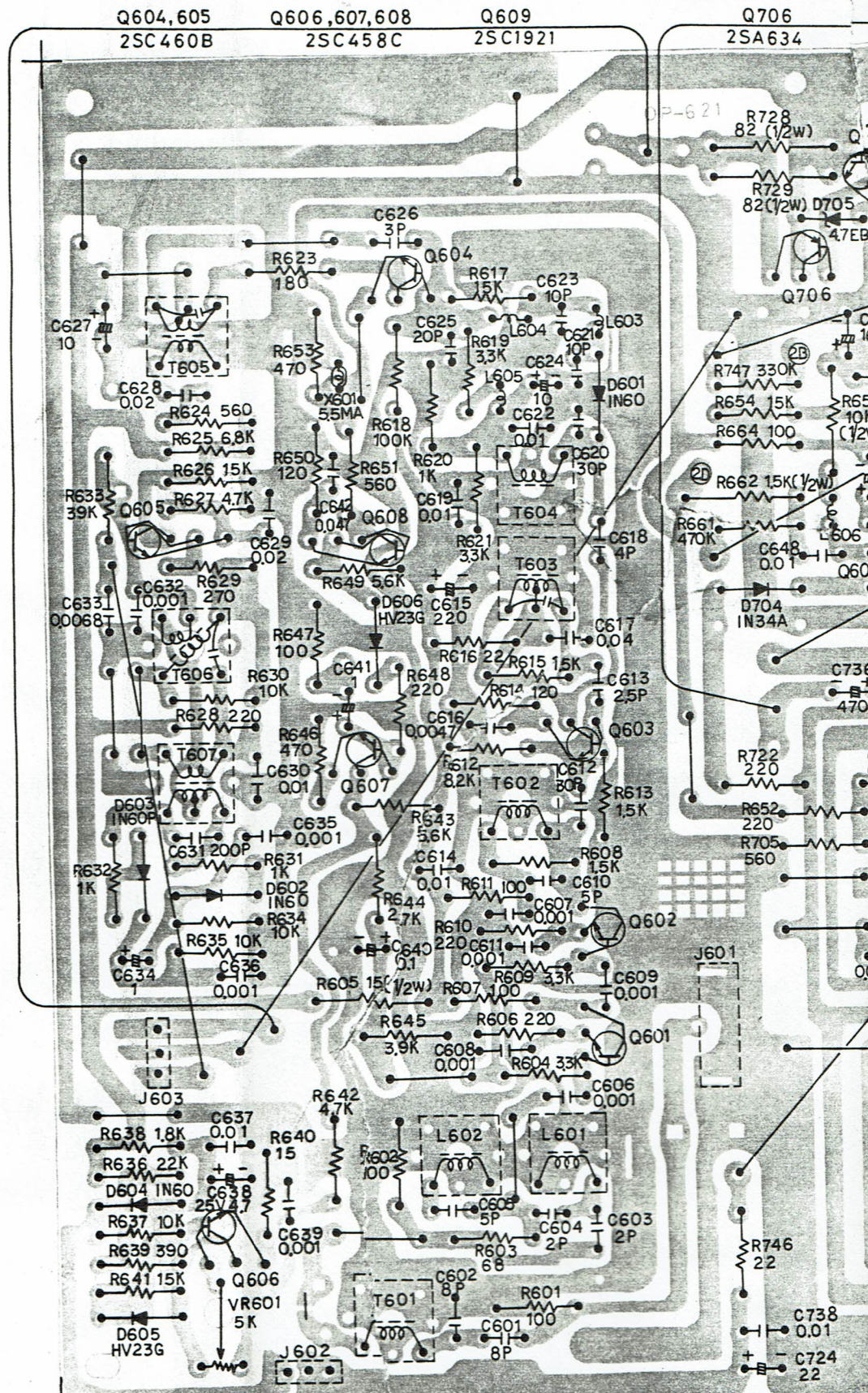




TELESCOPIC ANT







Q604, 605  
2SC460B

Q606, 607, 608  
2SC458C

Q609  
2SC1921

Q706  
2SA634

PCB 2  
OP-621  
Bottom View

Q601, 602  
2SC1855

Q603  
2SC1096

Q701  
2SA733



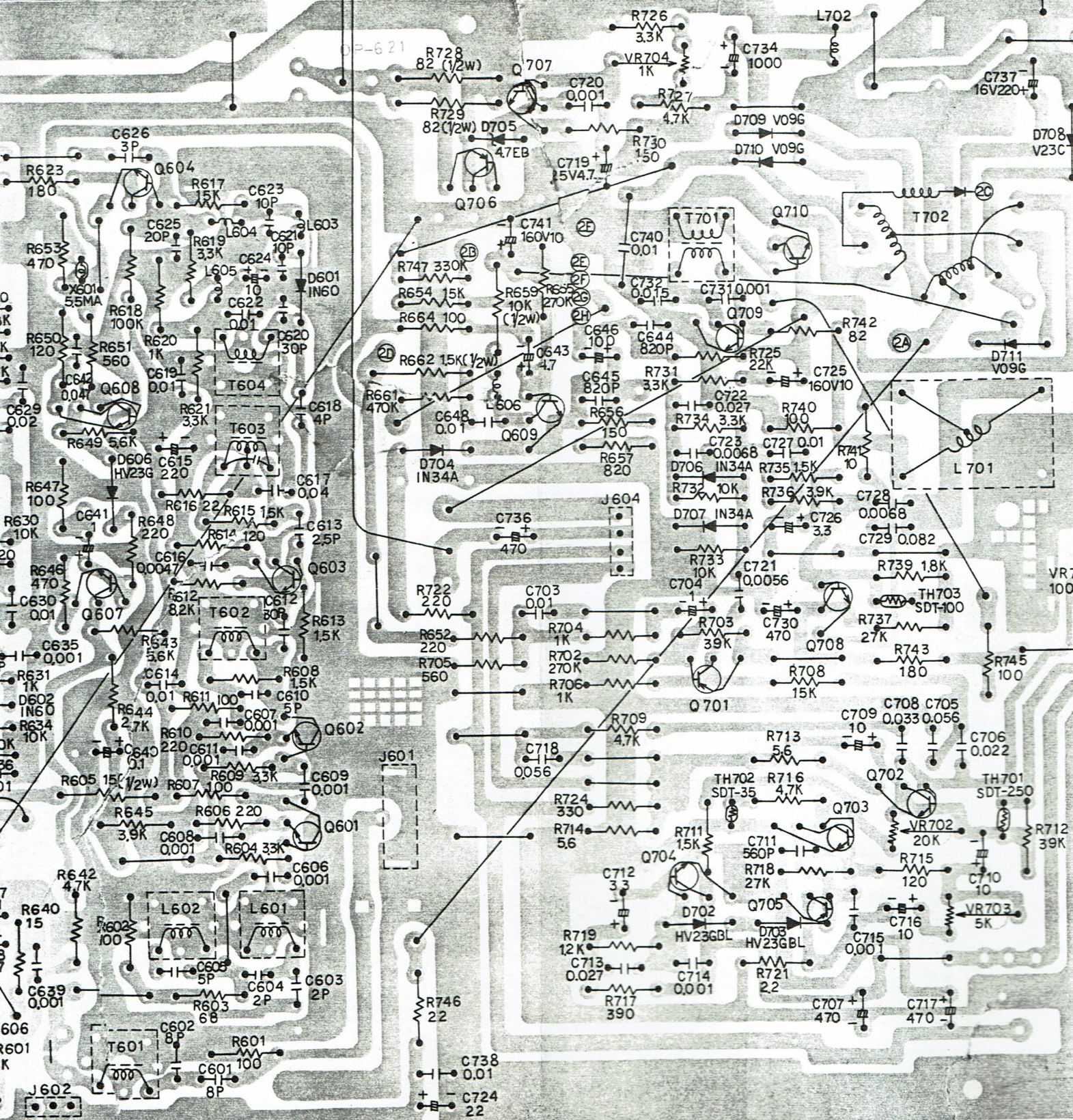
Q606,607,608  
2SC458C

Q609  
2SC1921

Q706  
2SA634

Q707  
2SC945

Q710  
2SD724



Q601,602  
2SC1855

Q603  
2SC1096

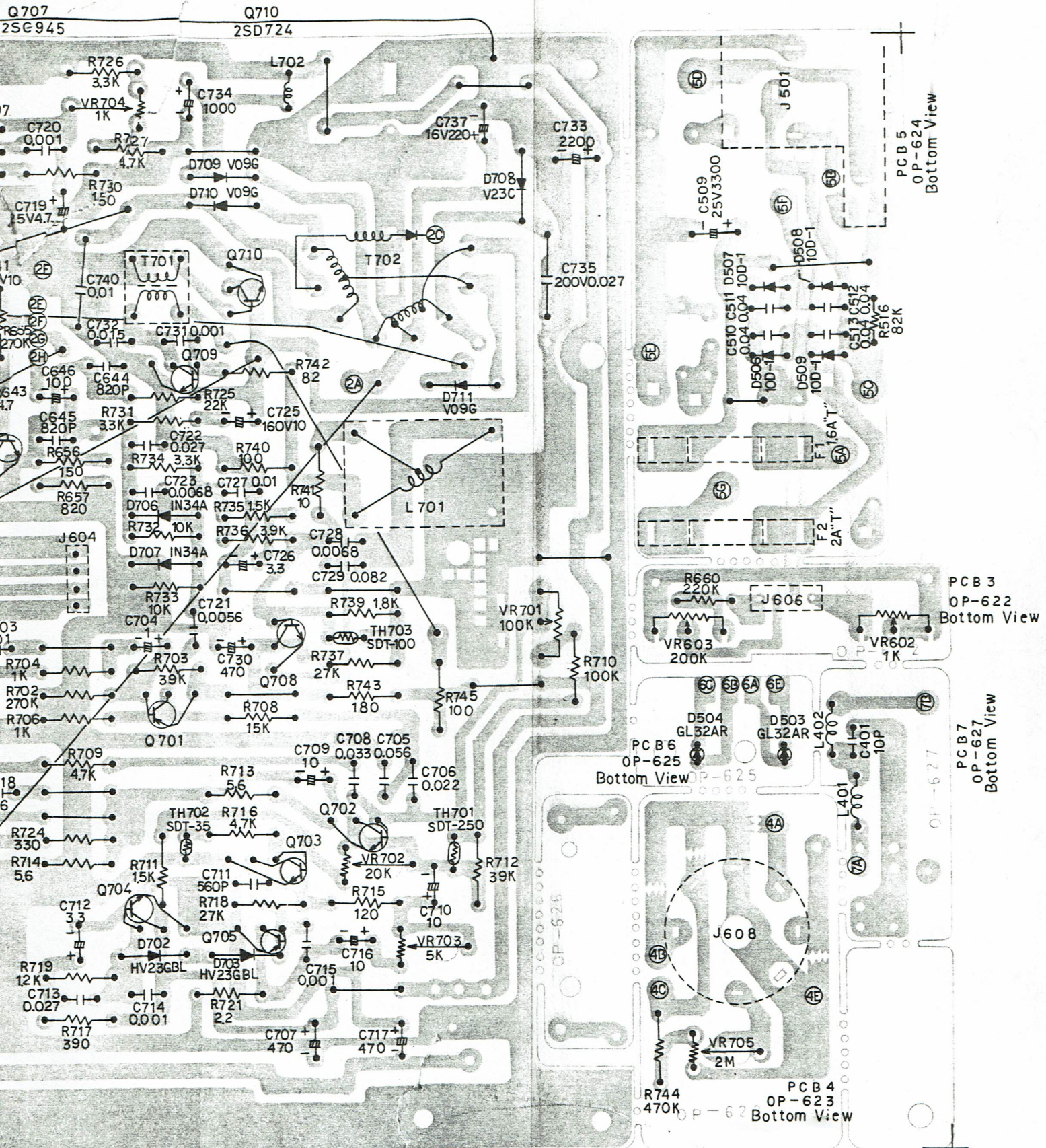
Q701  
2SA733

Q702,703,708  
2SC458

Q704,709  
2SC1213C

Q705  
2SA673C





Q707  
25C945

Q710  
25D724

PCB 5  
OP-624  
Bottom View

PCB 3  
OP-622  
Bottom View

PCB 6  
OP-625  
Bottom View

PCB 7  
OP-627  
Bottom View

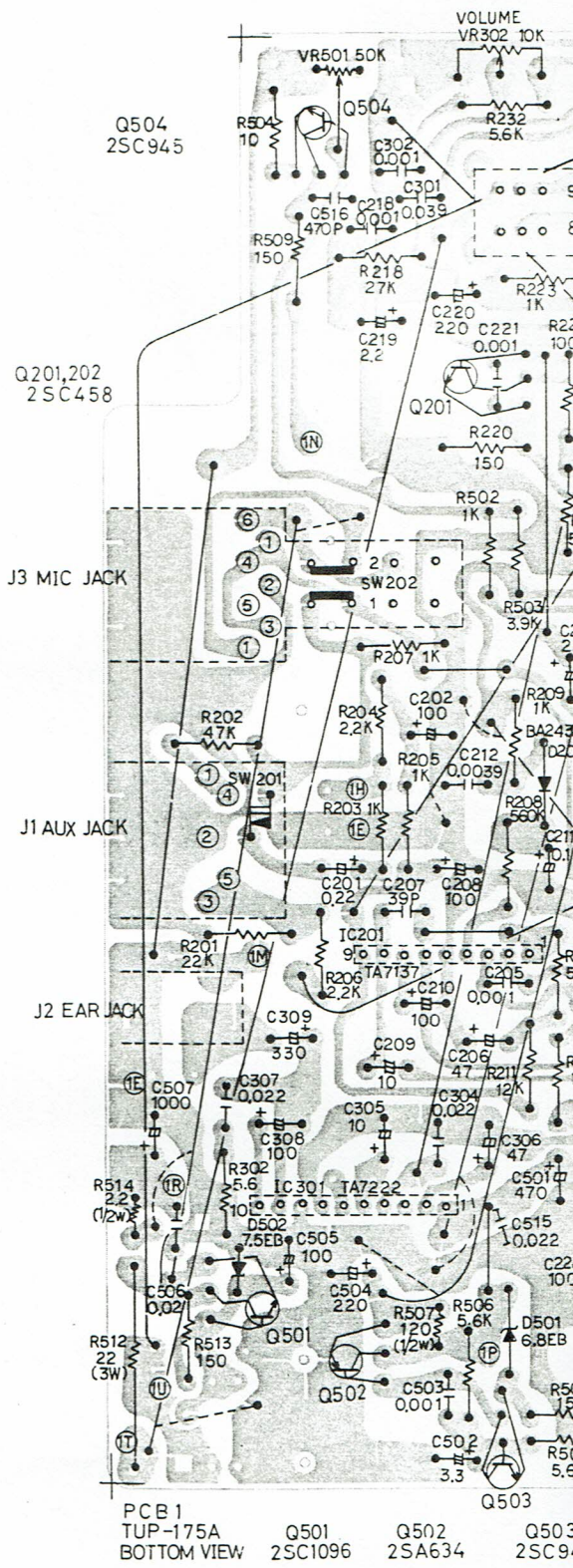
PCB 4  
OP-623  
Bottom View

Q702,703,708  
25C458

Q704,709  
25C1213C

Q705  
25A673C



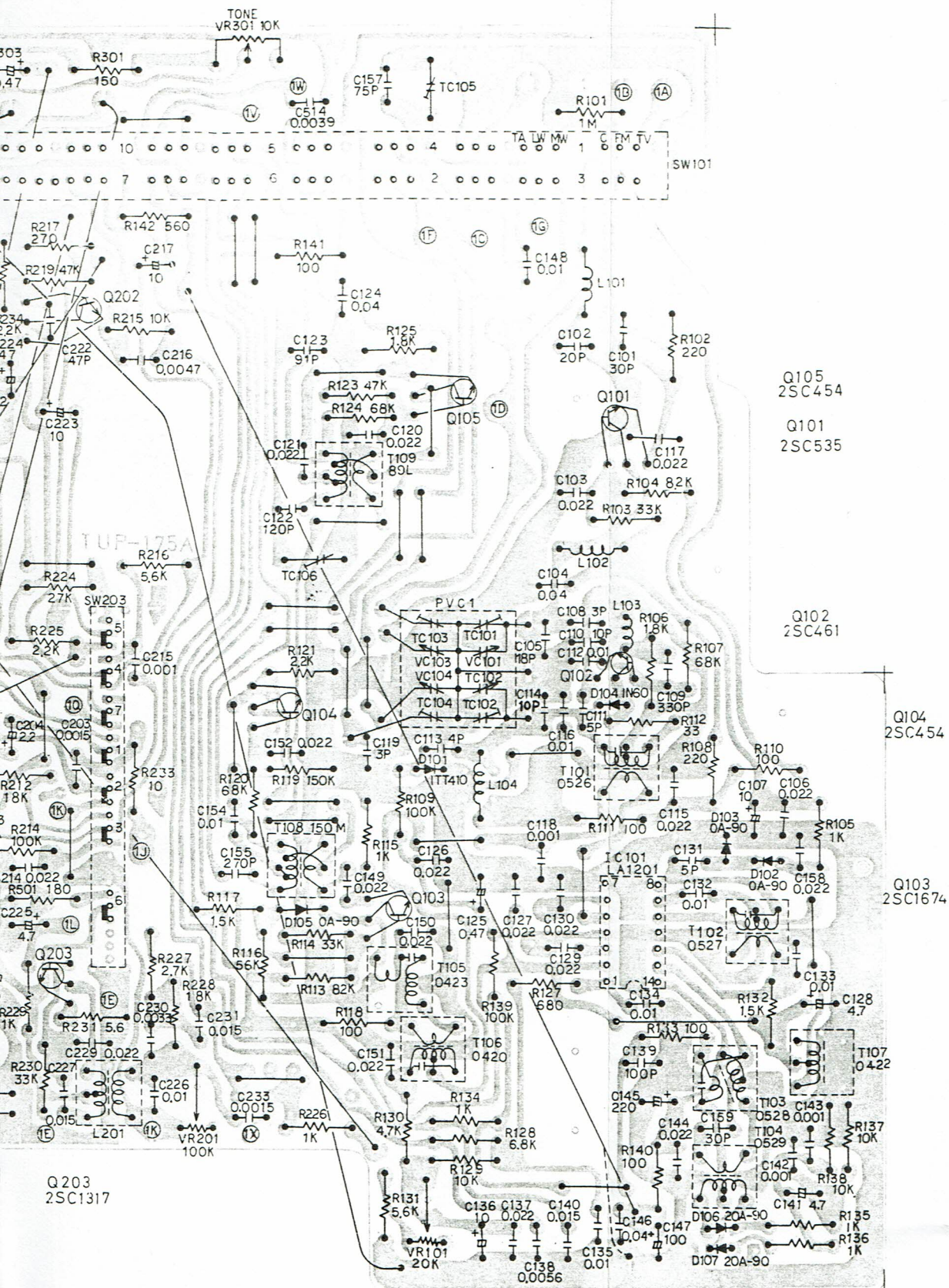


PCB 1  
 TUP-175A  
 BOTTOM VIEW  
 Q501 2SC1096  
 Q502 2SA634  
 Q503 2SC945

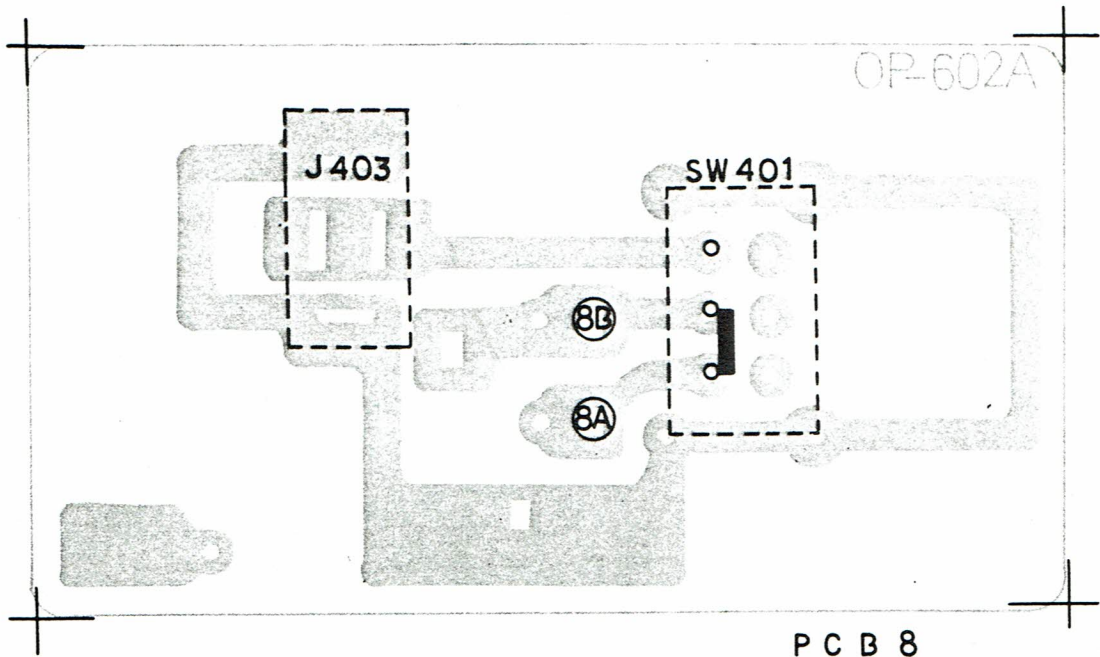




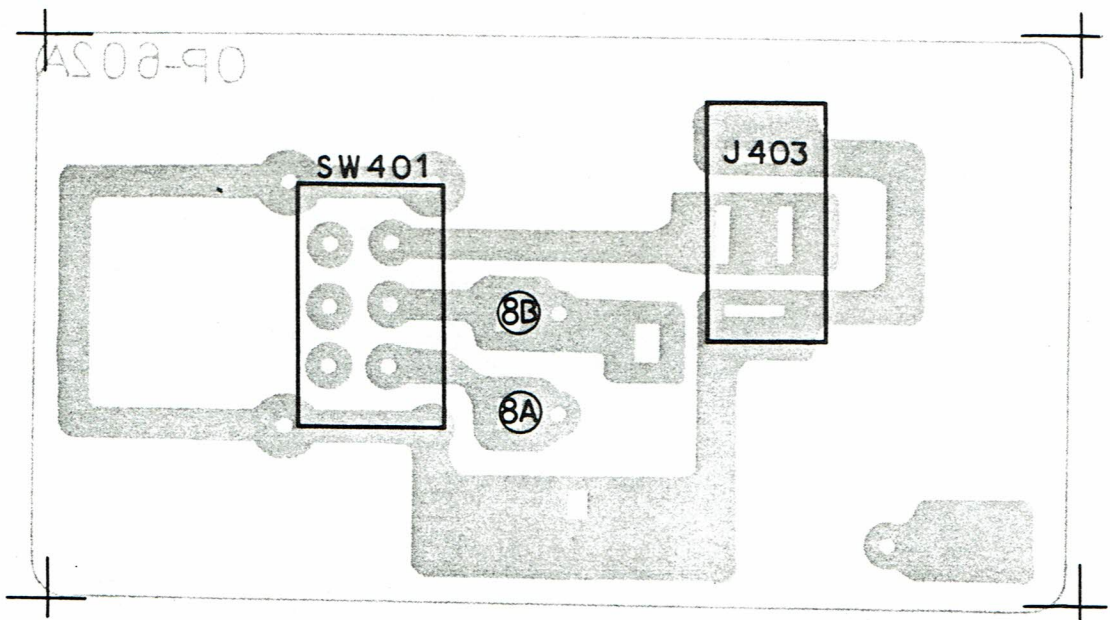






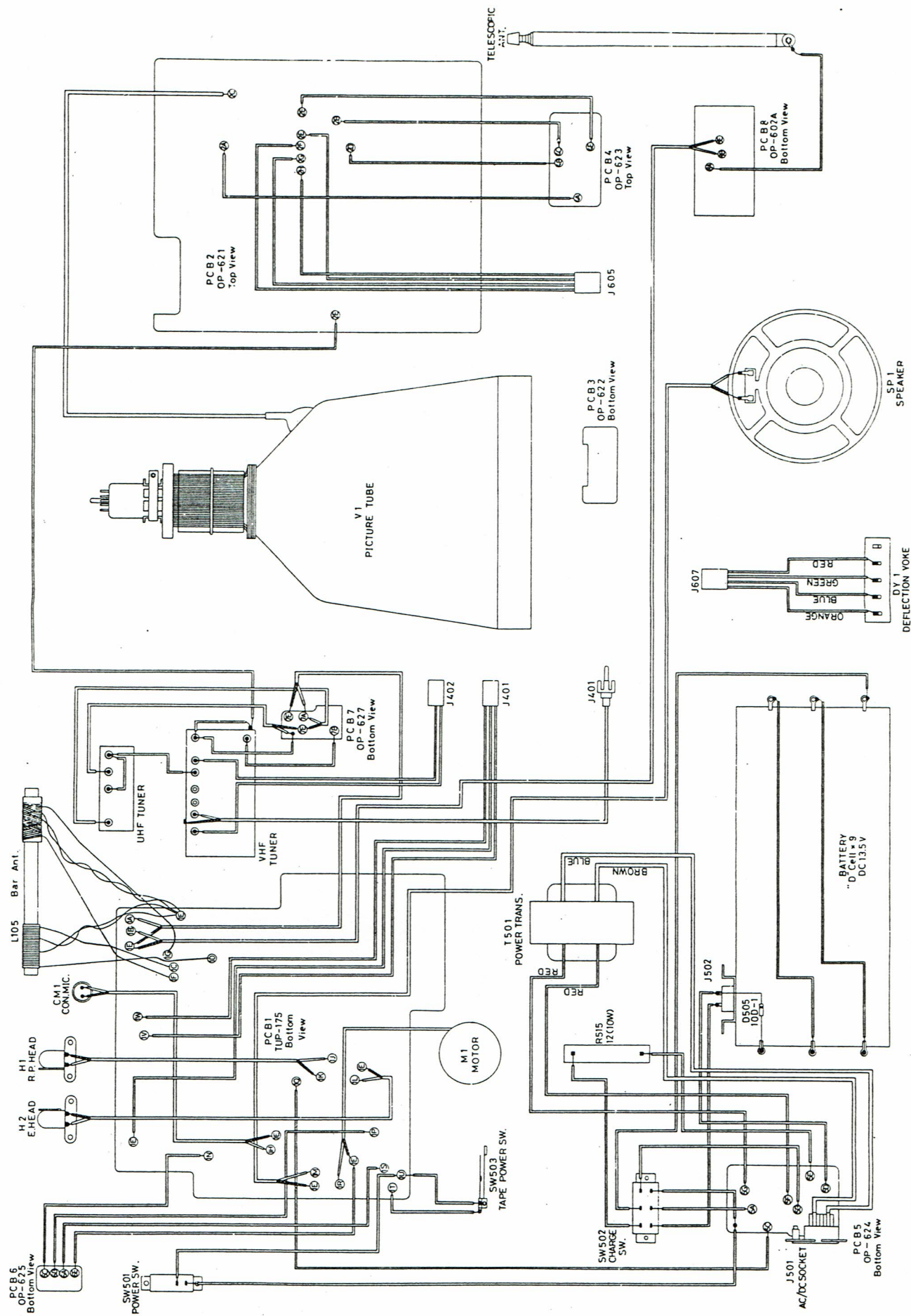


PC B 8  
OP-602A  
Bottom View

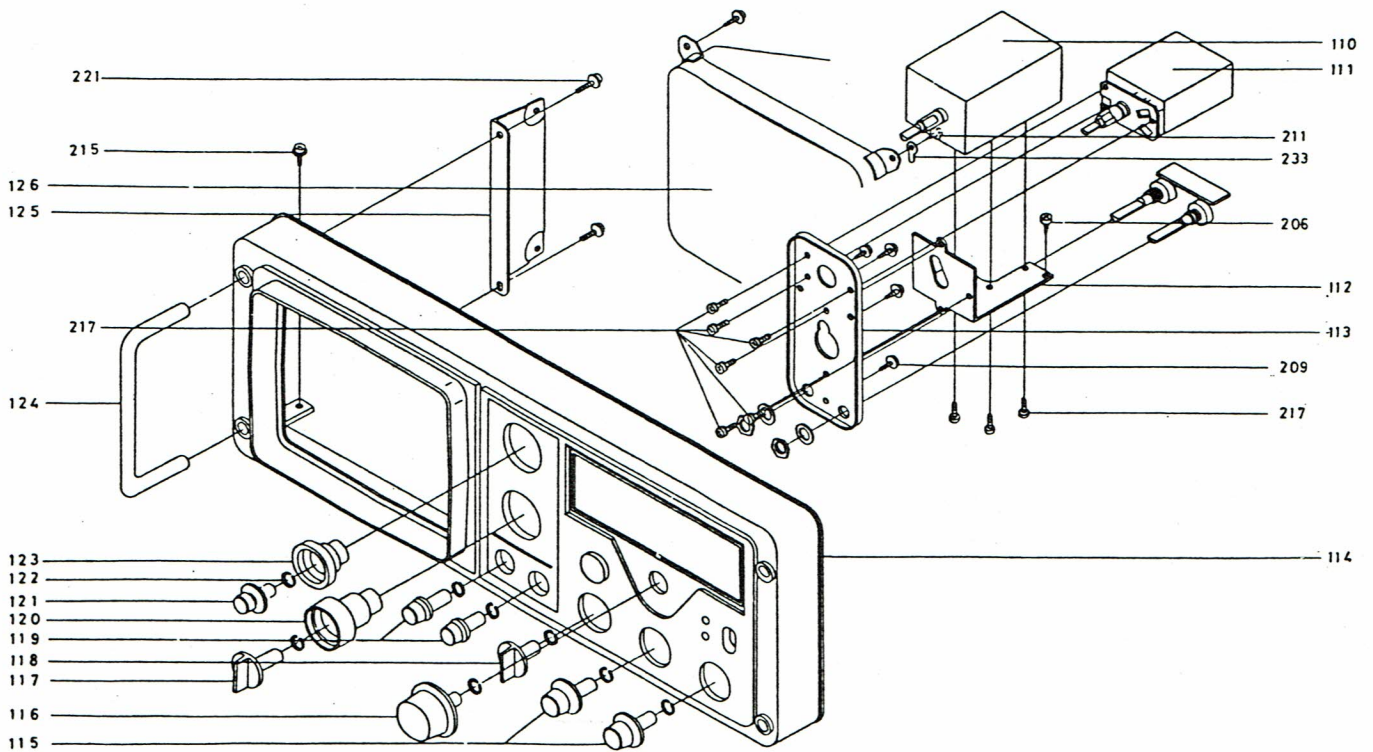
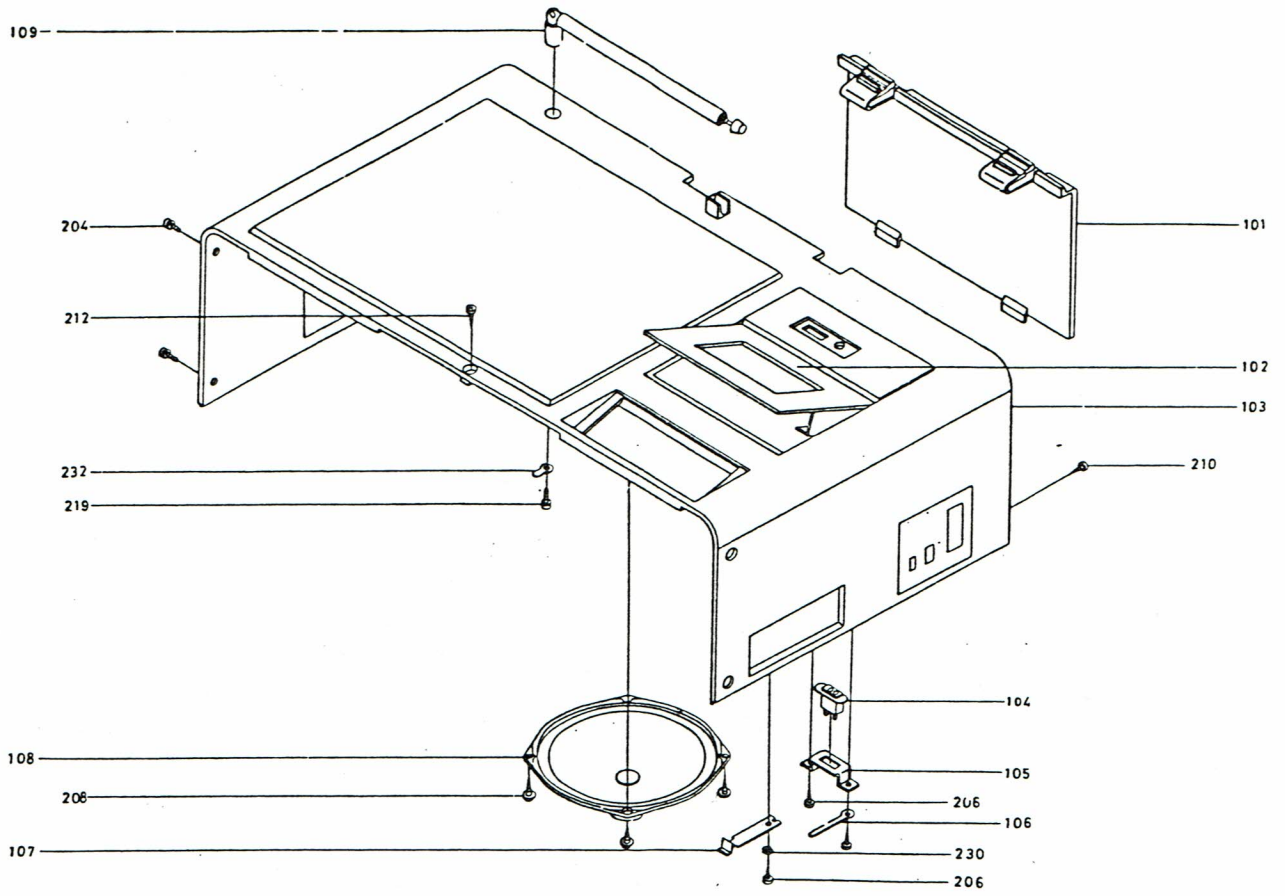


PC B 8  
OP-602A  
Top View

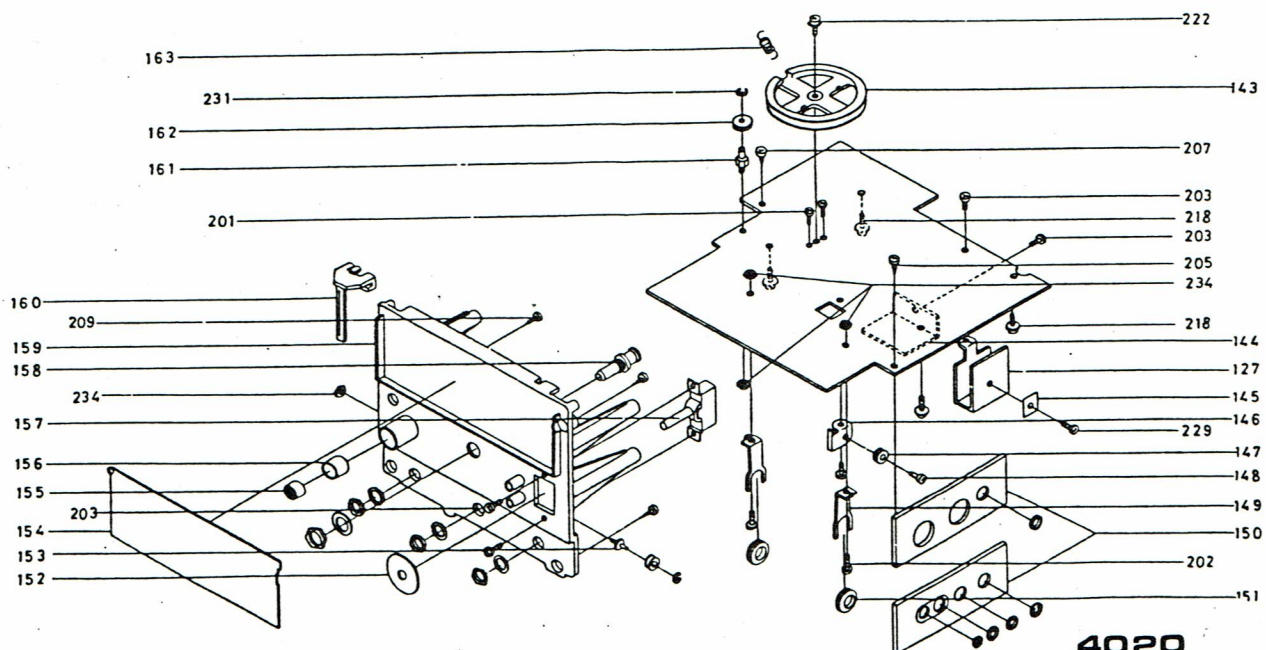
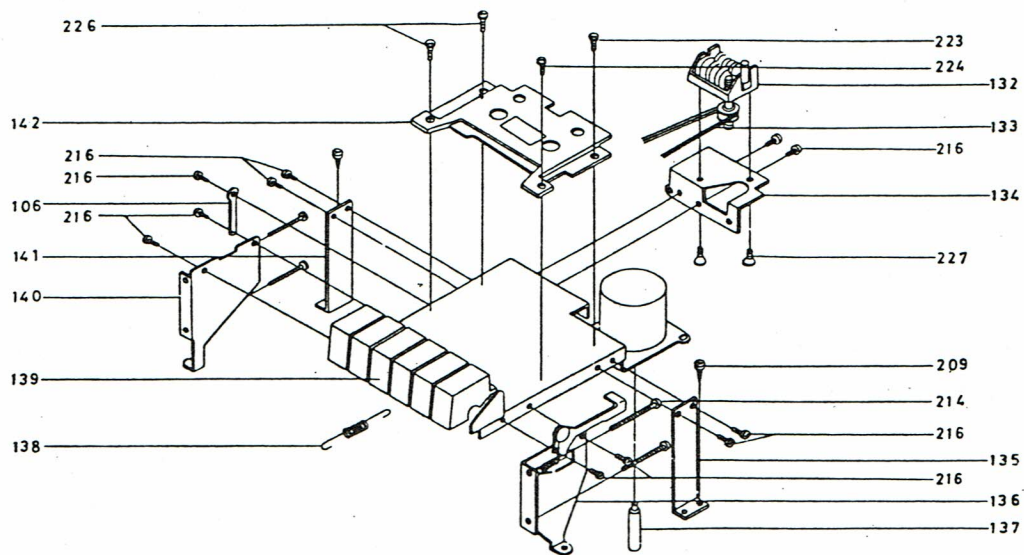
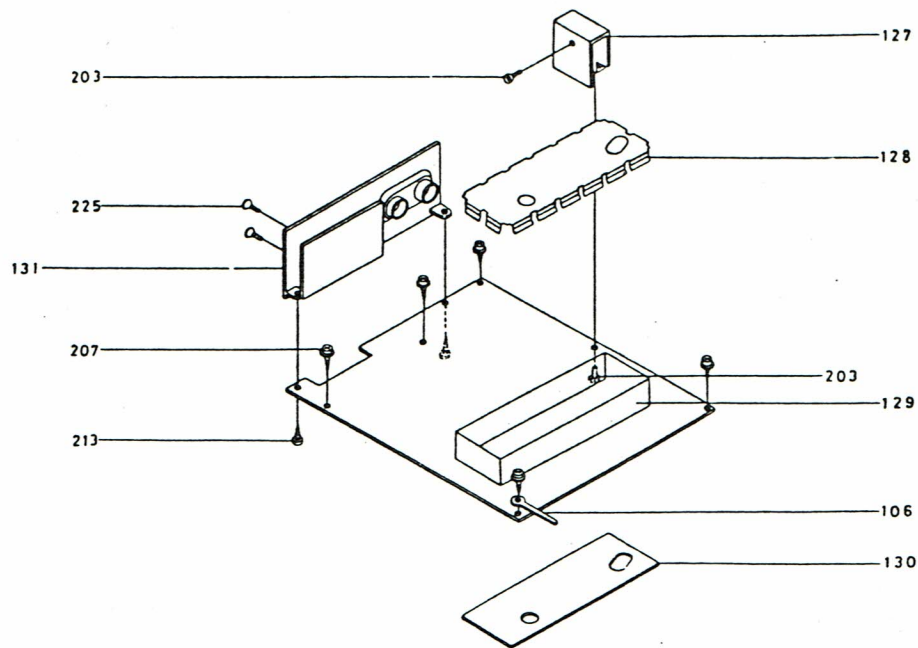












4020



