

**ISP**<sup>®</sup>

International Sound Products

***service  
manual***

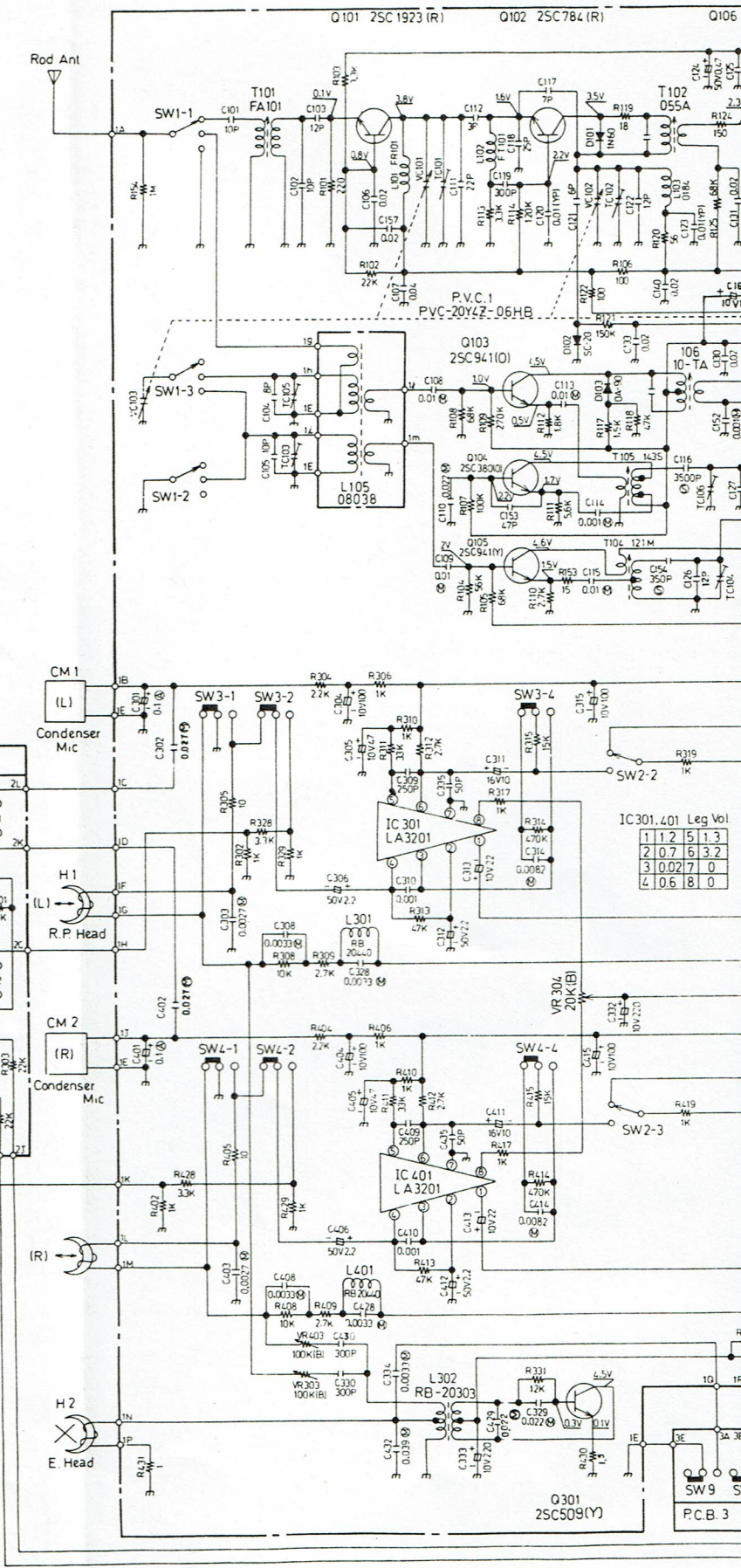
**Radio**

**Cassette**

**Recorder**

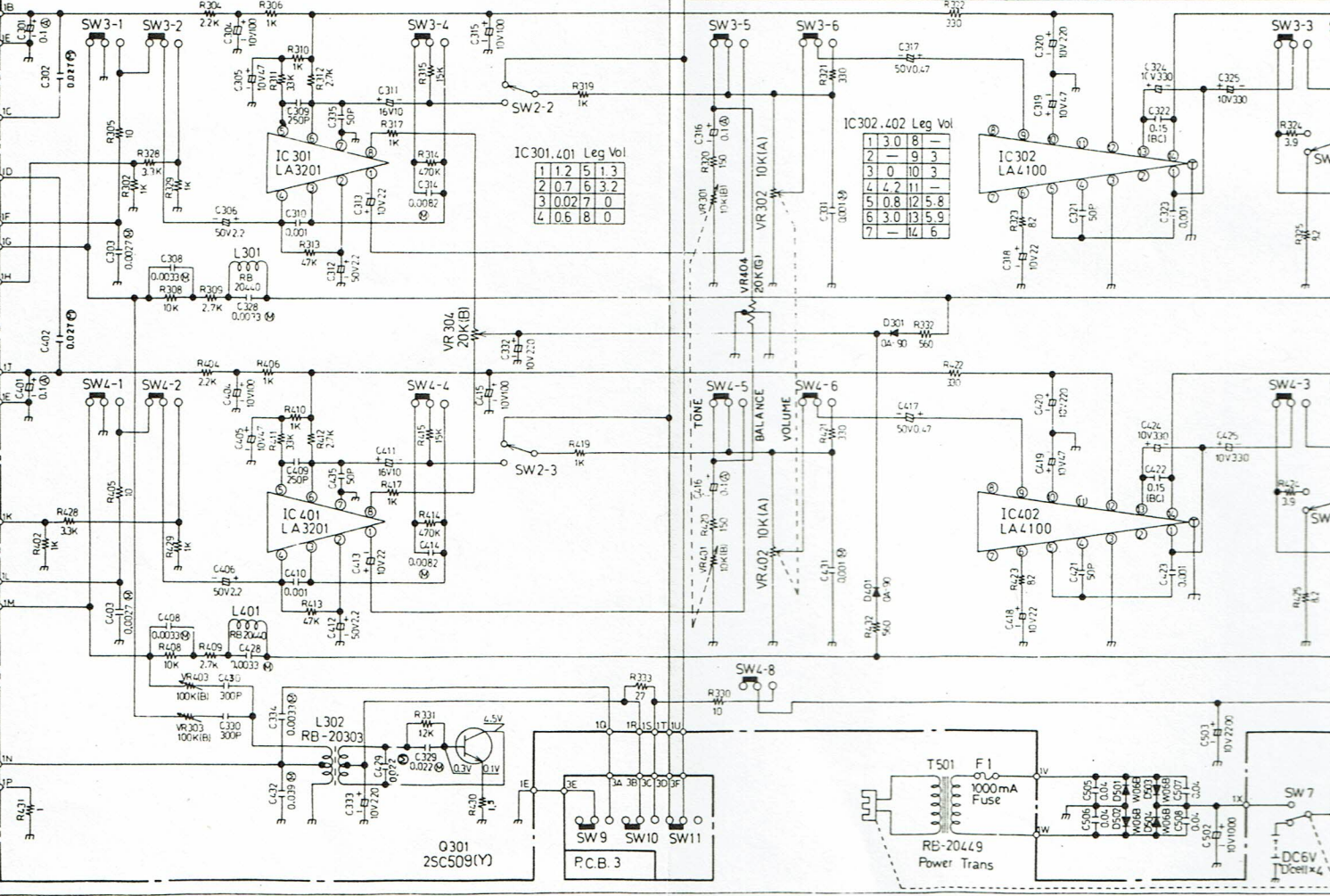
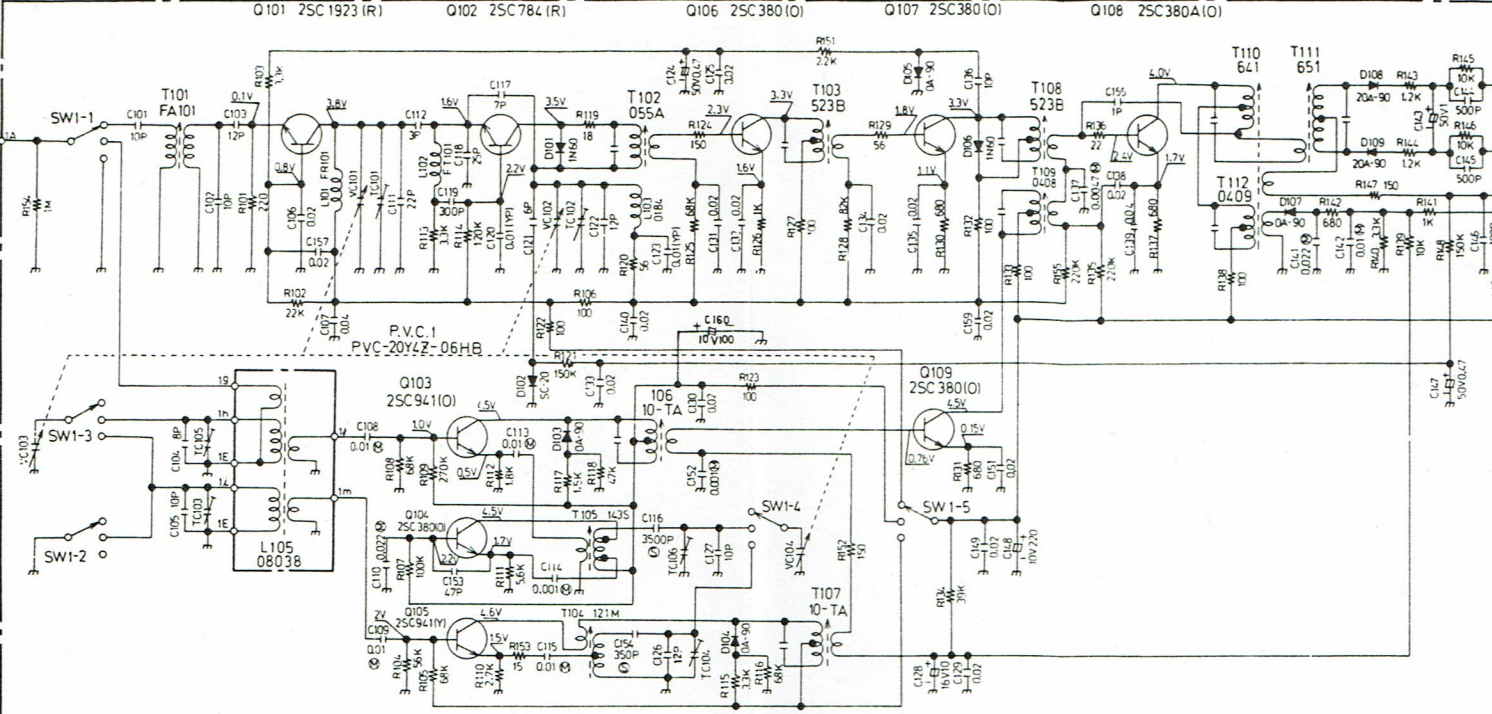
**STR 407**

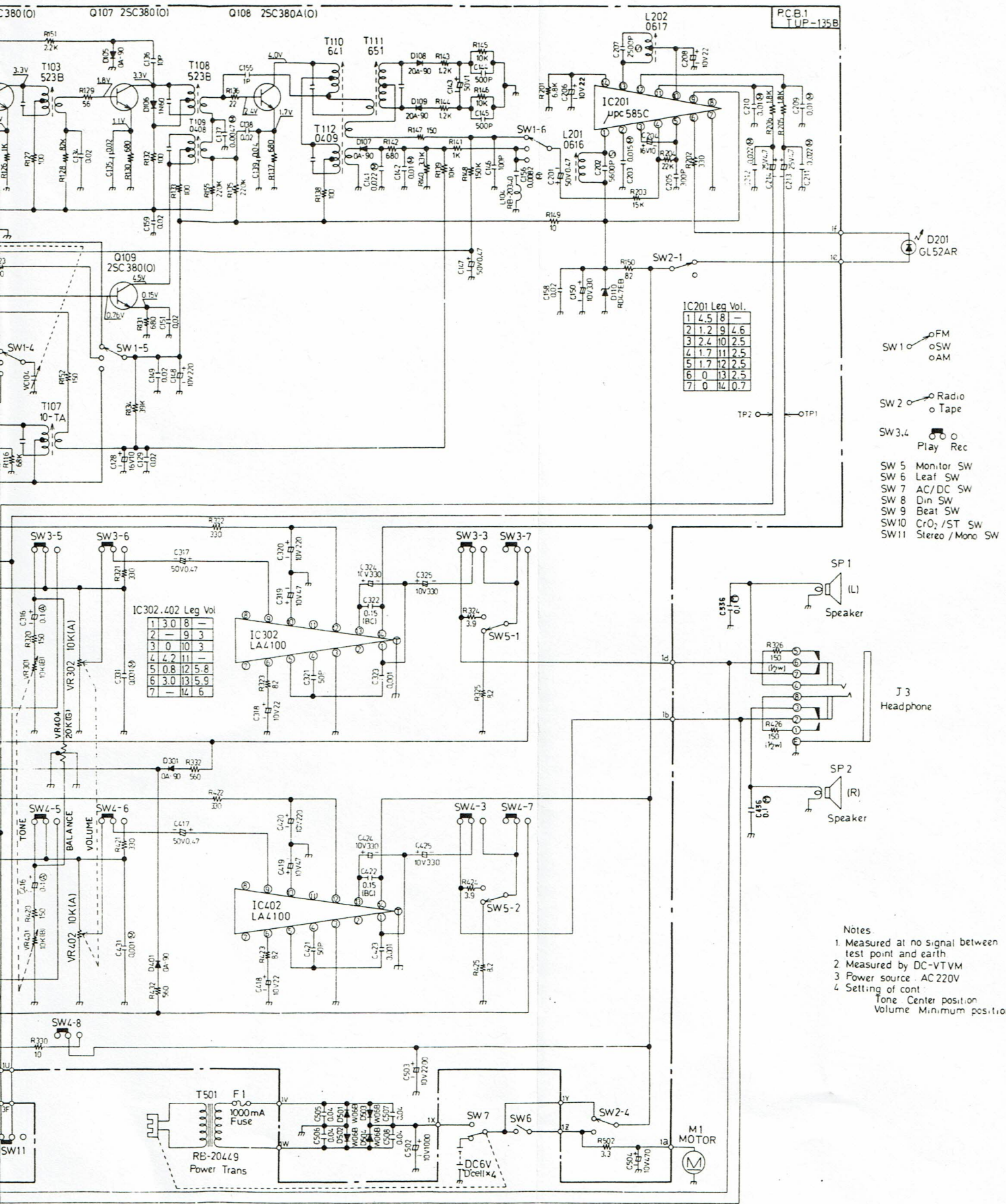




IC301, L01 Leg Vol			
1	1	2	5
1	2	7	6
3	0	0	2
4	1	6	8

P.C.B. 3





IC201 Leg Vol.

1	4.5	8	-
2	1.2	9	4.6
3	2.4	10	2.5
4	1.7	11	2.5
5	1.7	12	2.5
6	0	13	2.5
7	0	14	0.7

IC302.402 Leg Vol

1	3.0	8	-
2	-	9	3
3	0	10	3
4	7.2	11	-
5	0.8	12	5.8
6	1.2	13	5.8
7	1.2	14	6

- SW 1  FM  SW  AM
- SW 2  Radio  Tape
- SW 3,4  Play  Rec
- SW 5 Monitor SW
- SW 6 Leaf SW
- SW 7 AC/DC SW
- SW 8 Din SW
- SW 9 Beat SW
- SW10 CrO<sub>2</sub>/ST SW
- SW11 Stereo/Mono SW

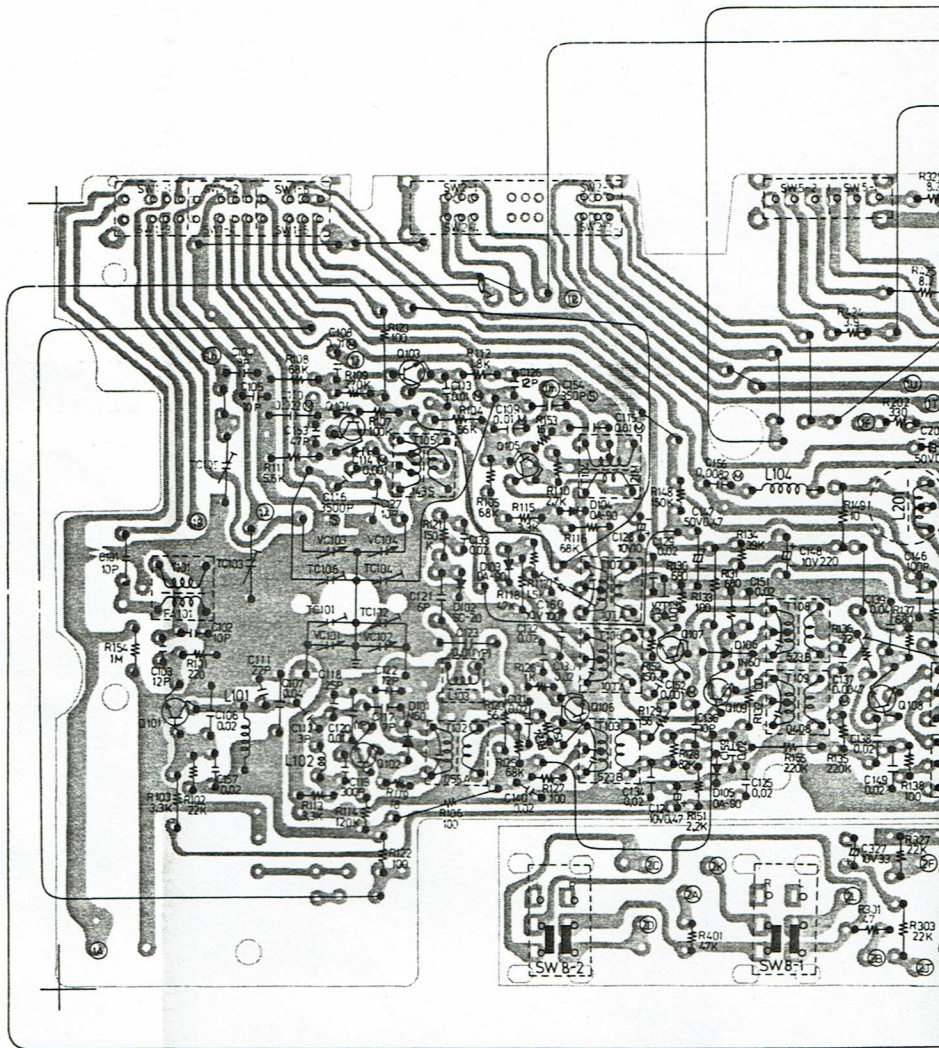
- Notes
1. Measured at no signal between test point and earth
  2. Measured by DC-VTVM
  3. Power source AC 220V
  4. Setting of cont:
    - Tone Center position
    - Volume Minimum position

Q103  
2SC941(O)

Q104  
2SC380(O)

Q105  
2SC941(Y)

Q301  
2SC509(Y)

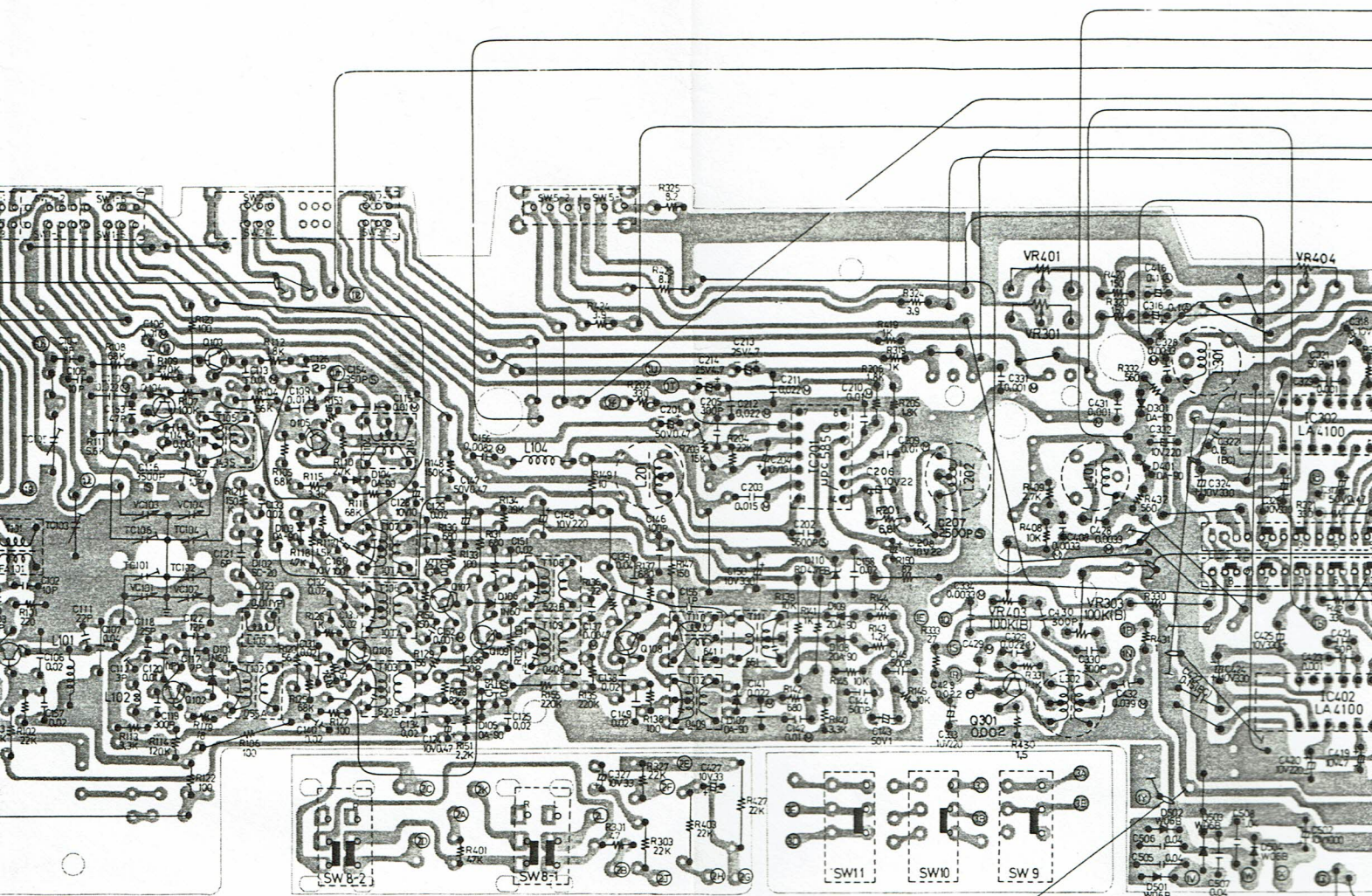


Q101  
2SC1923(R)

Q102  
2SC784(R)

Q108  
2SC380A(O)

Q106, 107, 109  
2SC380(O)

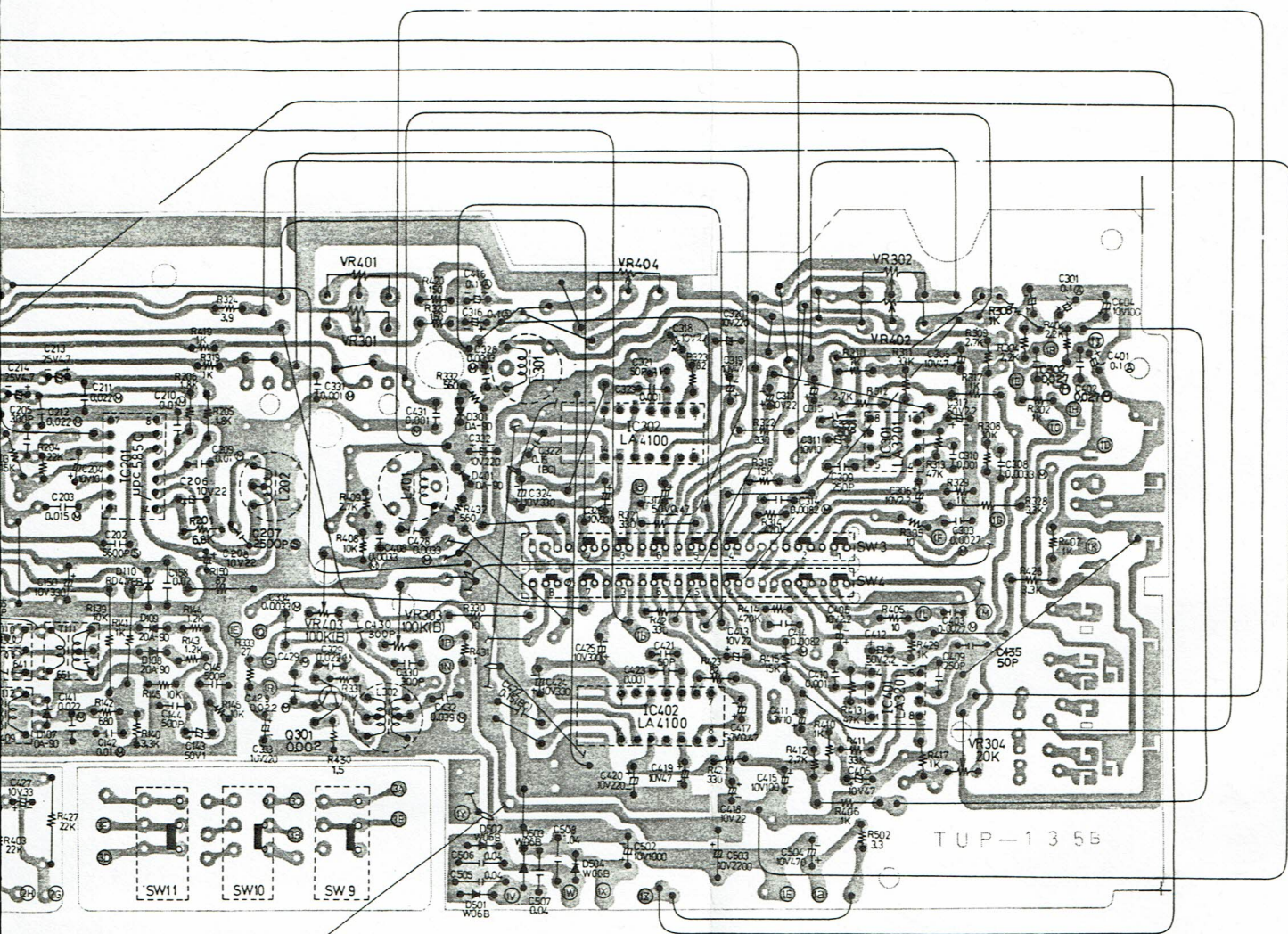


Q102 2SC784(R)    Q108 2SC380A(O)    Q106, 107, 109 2SC380(O)    P.C.B. 2 Bottom View    P.C.B. 3 Bottom View

1)

Q301 2SC509(Y)

P.C.B. 3  
Bottom View



Q301 25C509(Y)

P.C.B. 3  
Bottom View

P.C.B. 1  
TUP-135B  
Bottom View

P.C.B. 2  
Bottom View

