

ISP[®]

International Sound Products

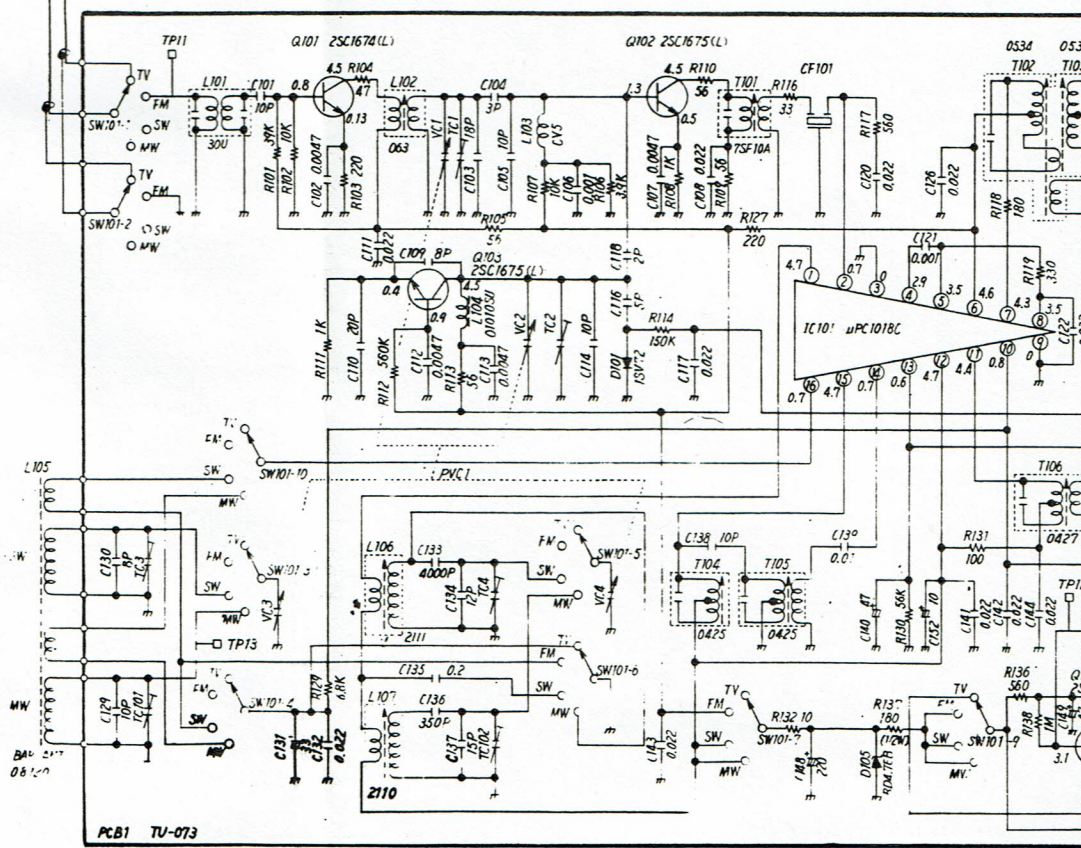
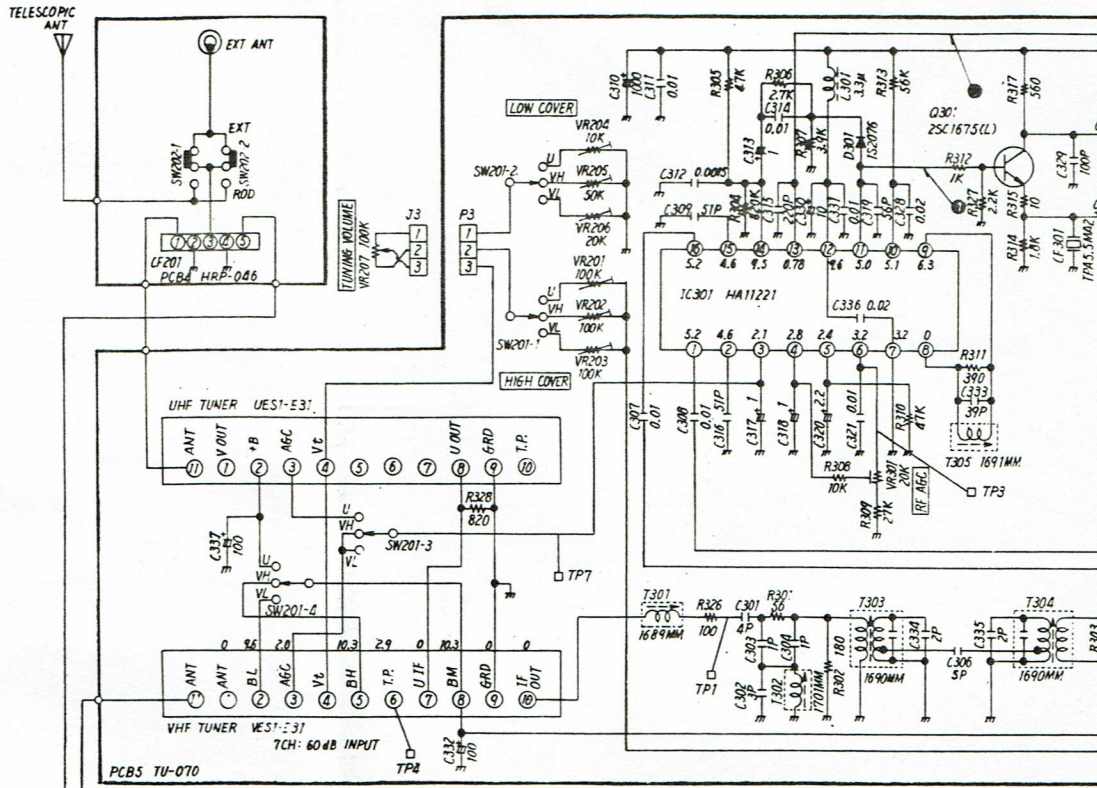
service manual

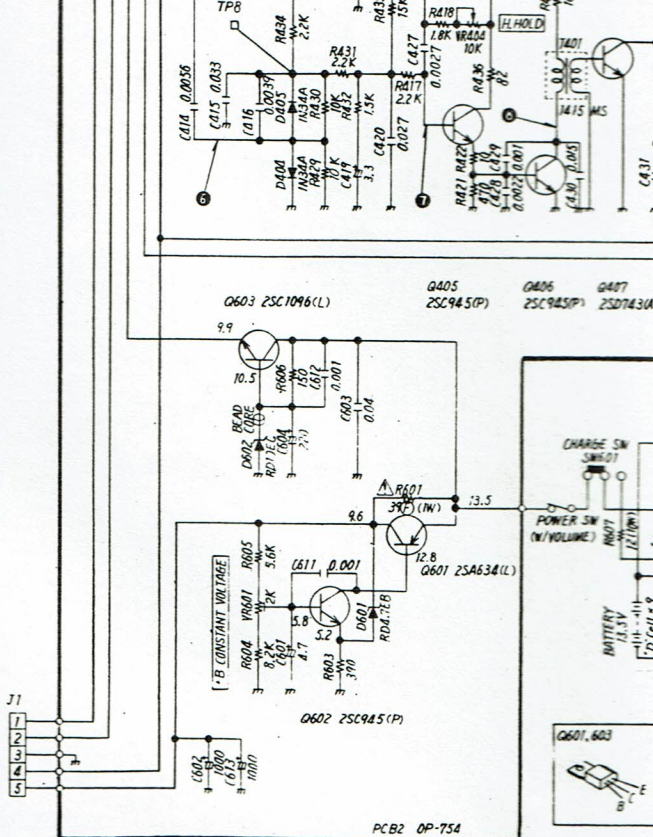
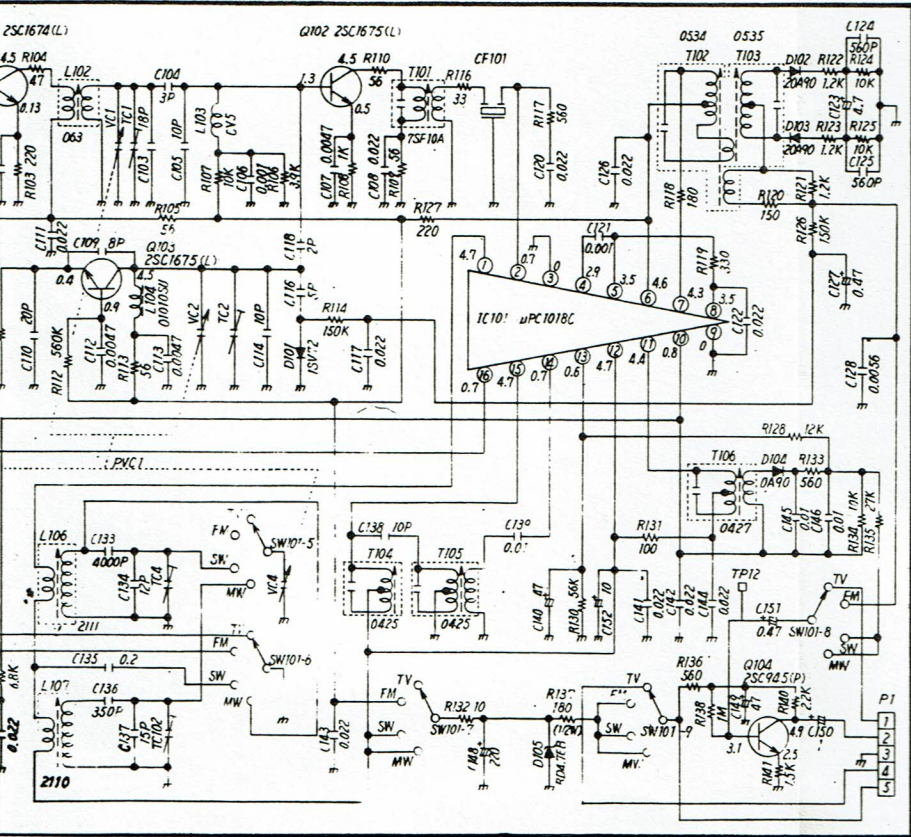
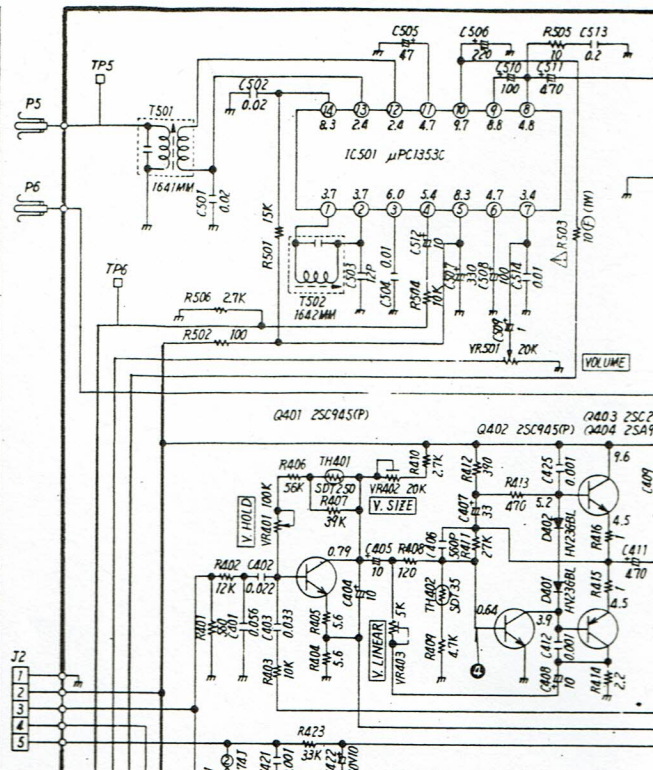
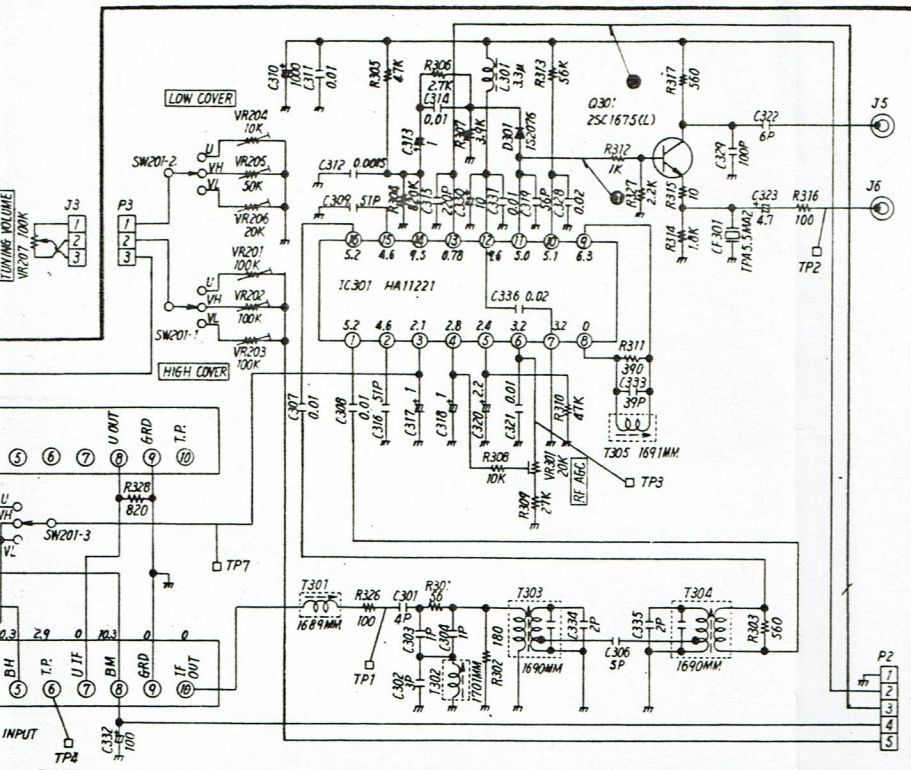
TV

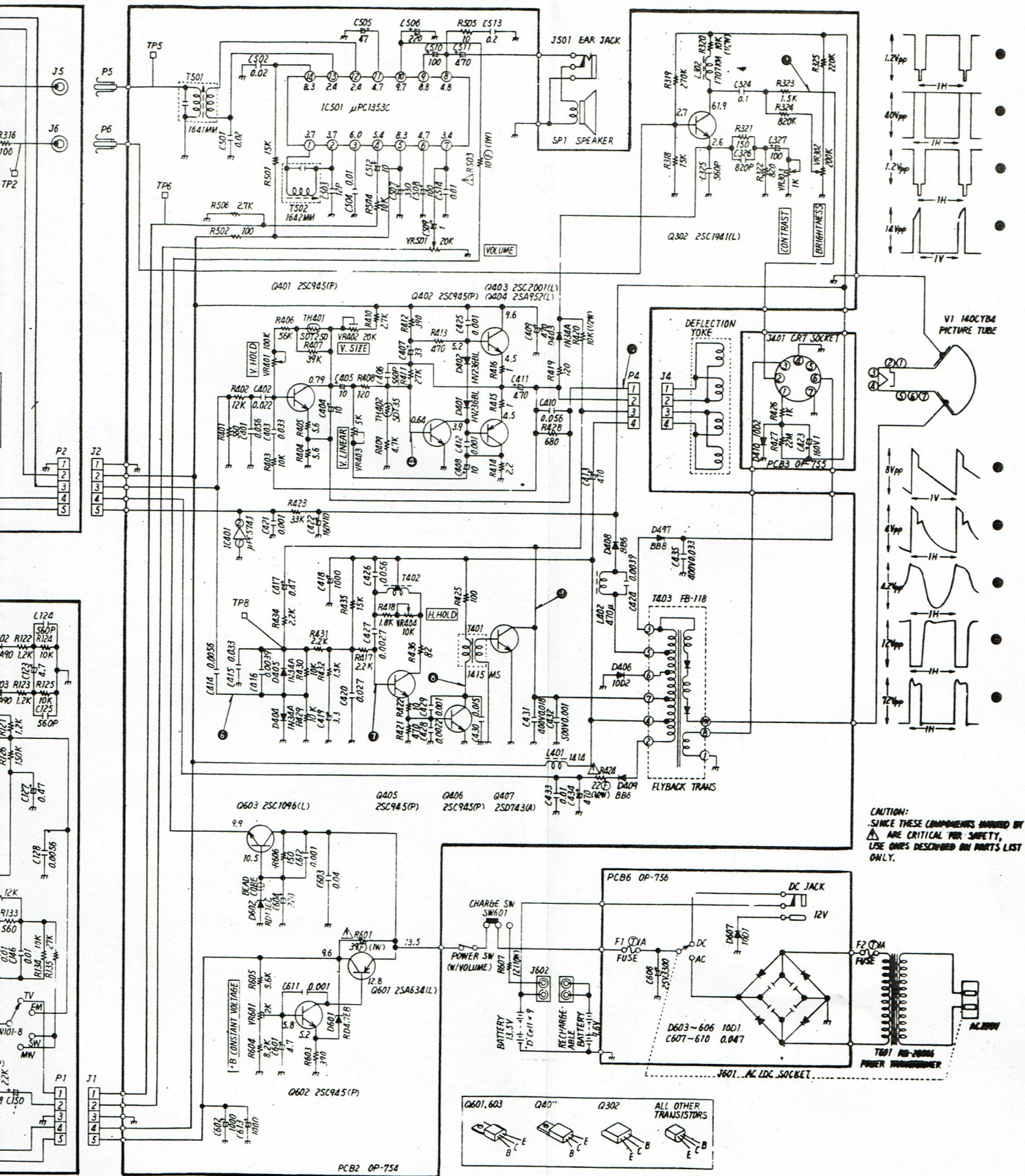
Radio

COMBI 7154



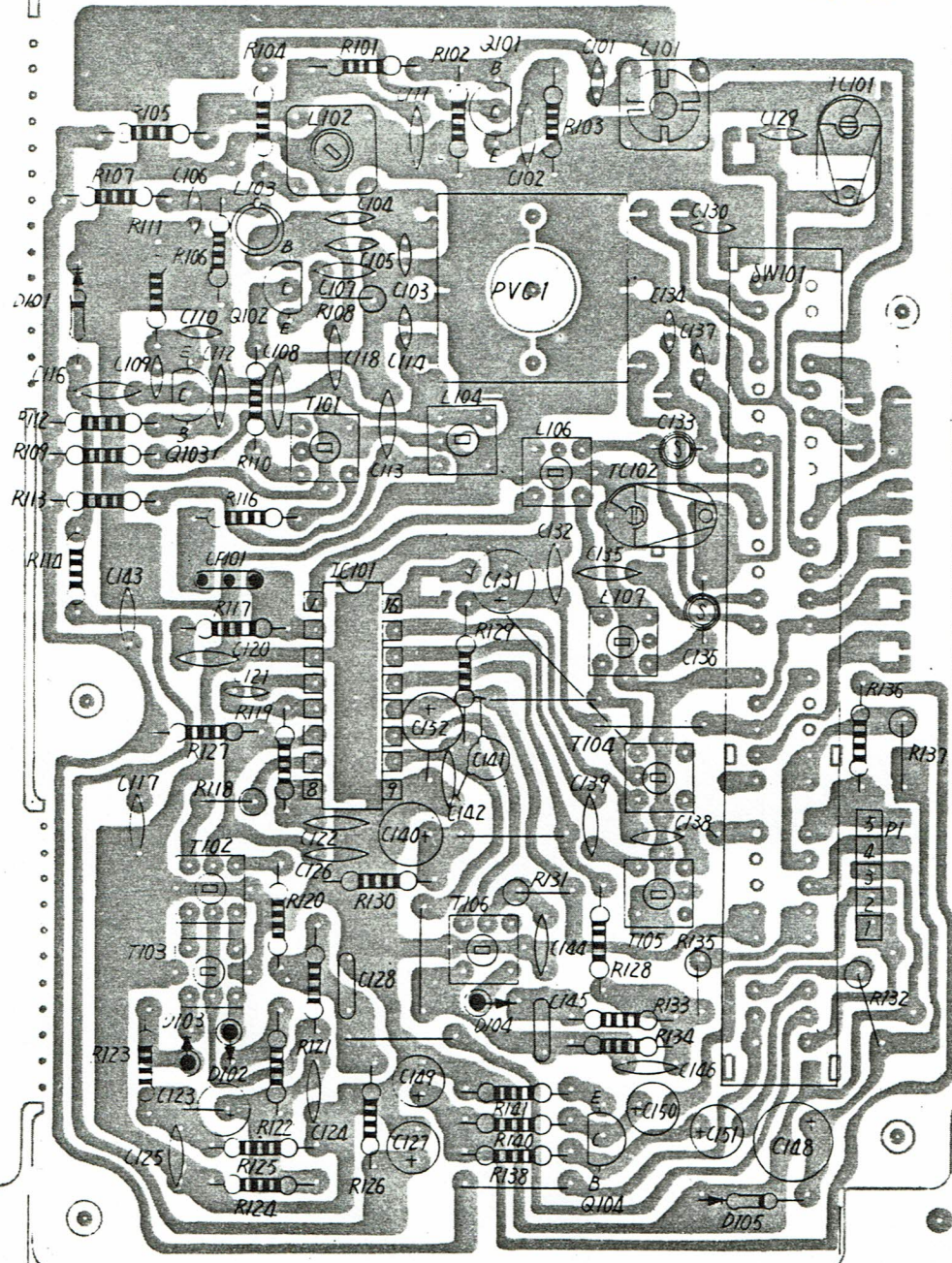






71524V LR

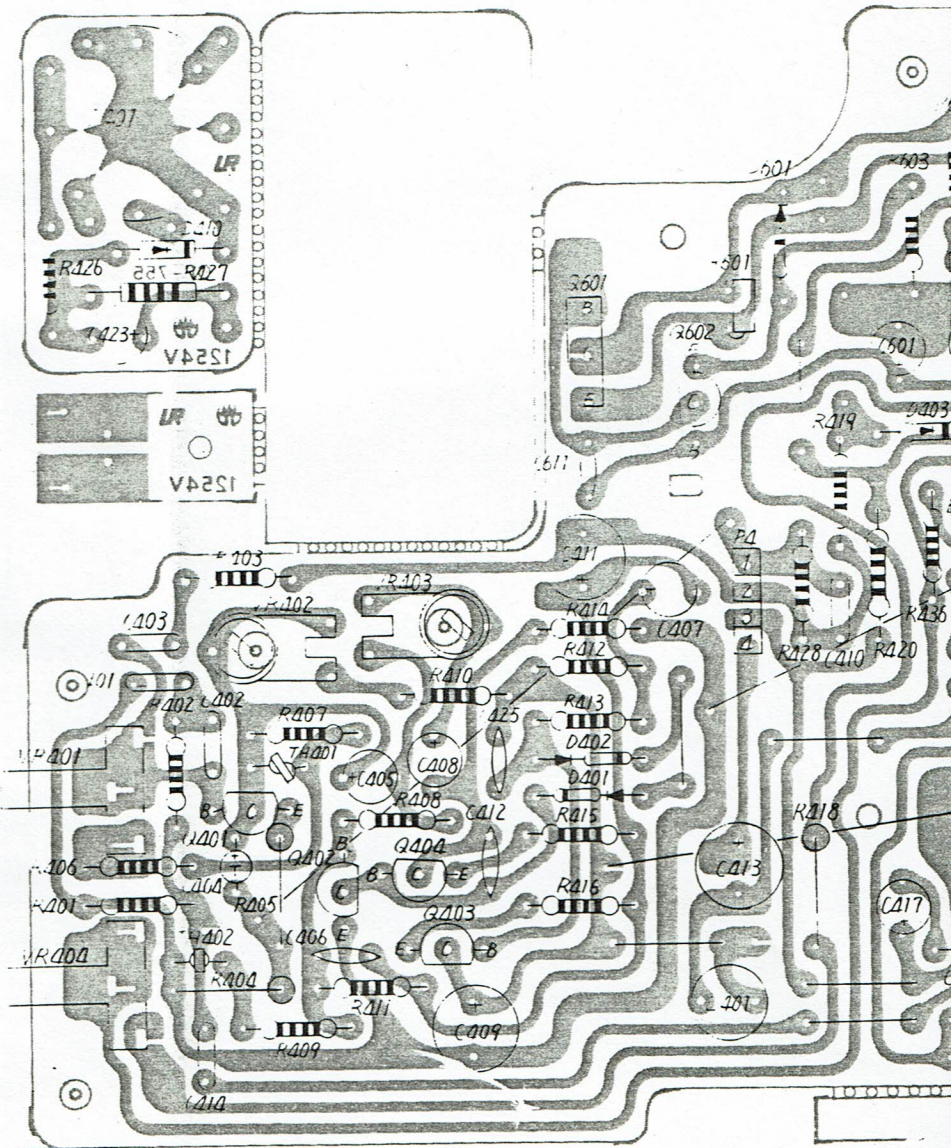
TU-073



85 R 42 C50 NT 2K

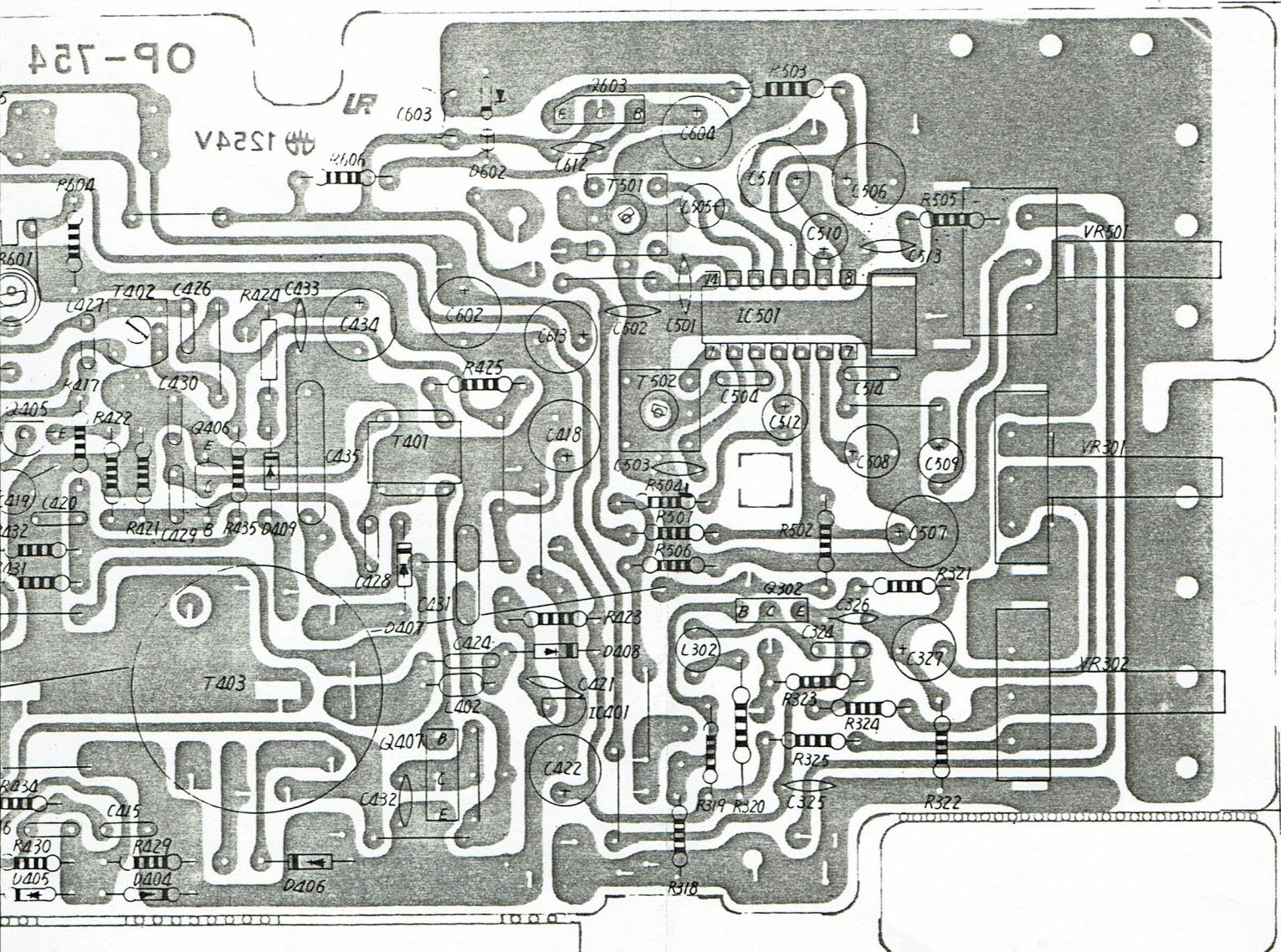
PCB1
TU-073
Top View

4. B3
7-55



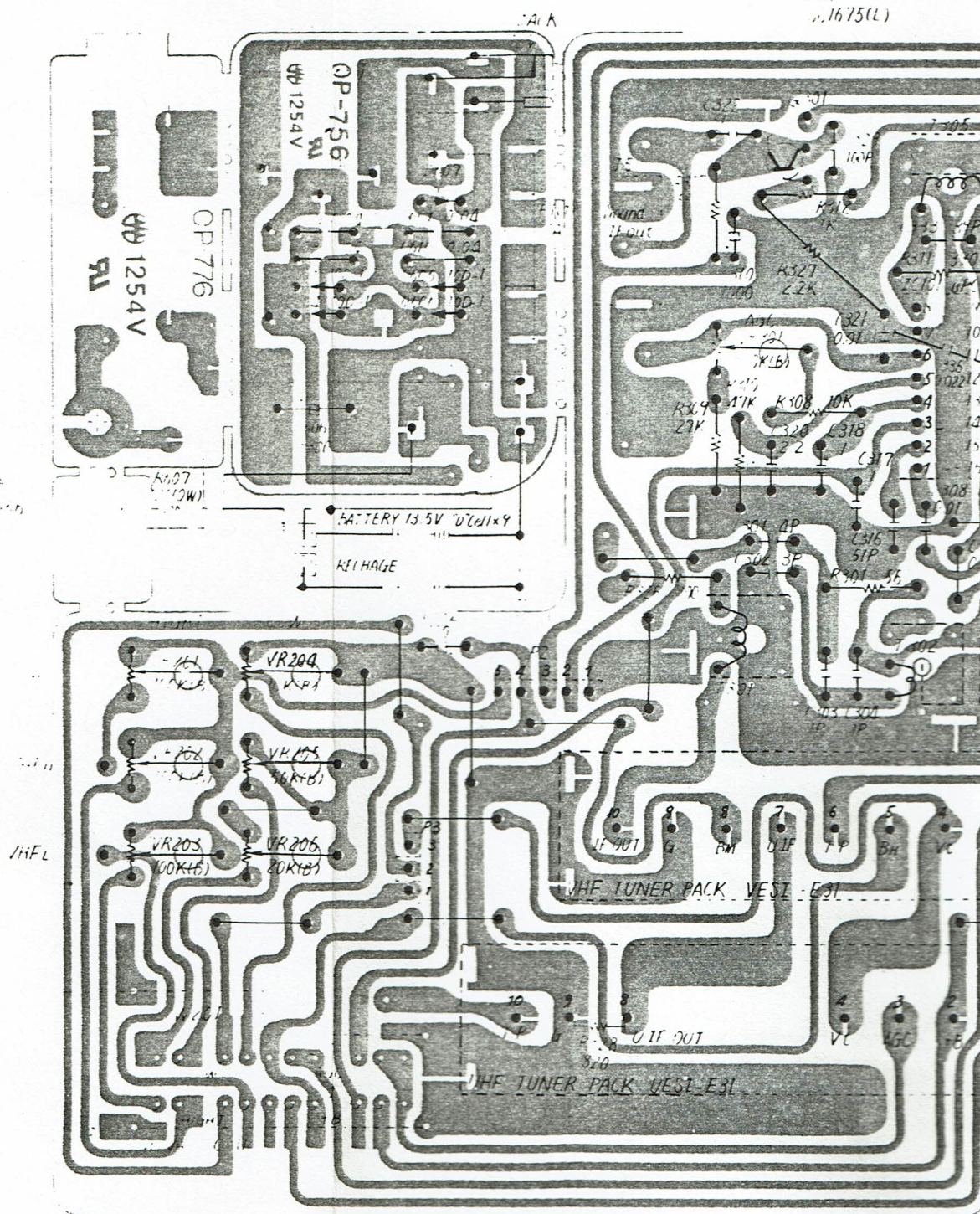
425 90 < 817

09-754

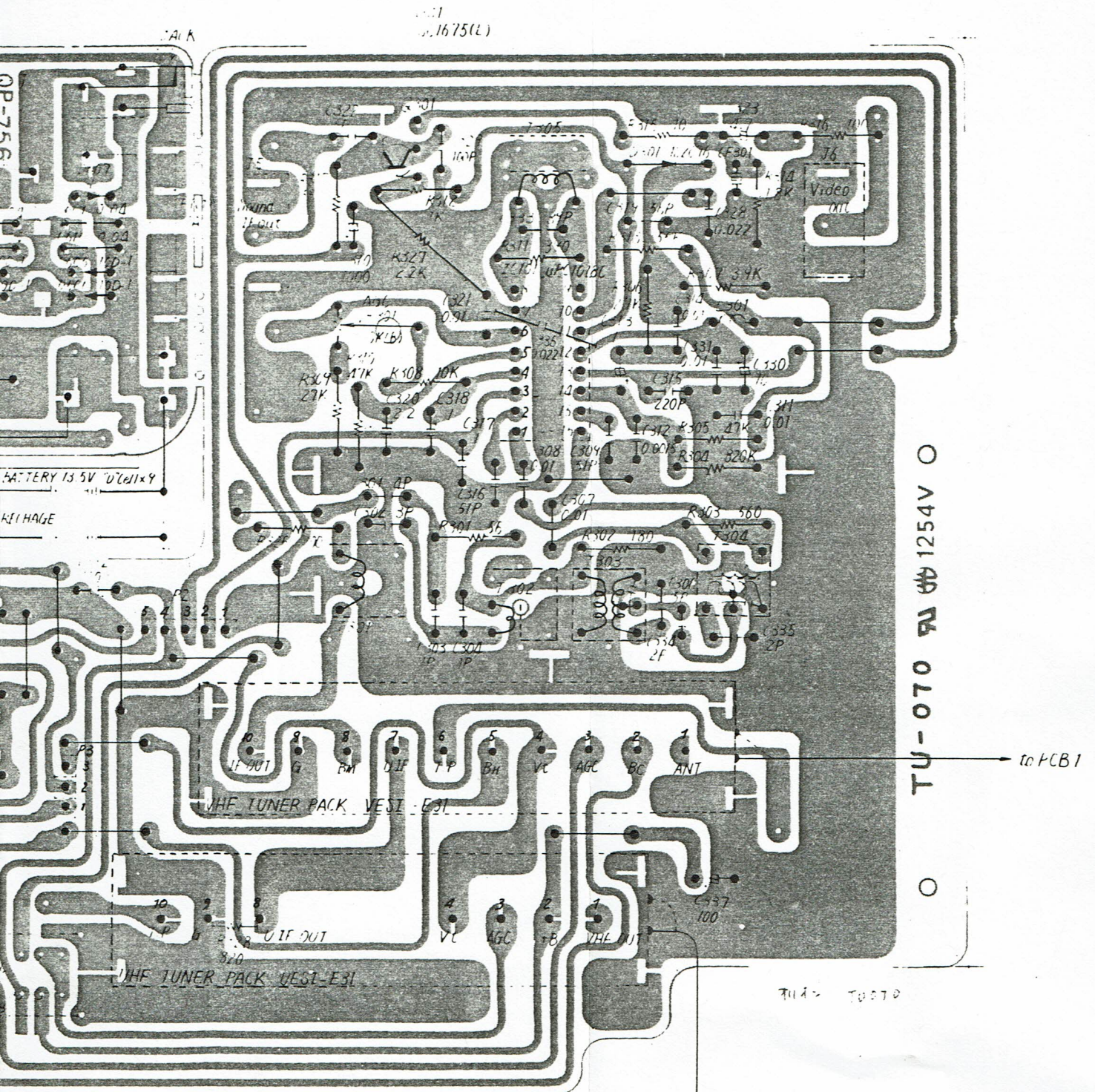


PCB 2
OP-754
Top View

1675(L)



51 P 5
TU-070
Bottom View



1.1675(L)

TU-070 RA 60 1254V O

01 R 5
TU-070
Bottom View

to PCB4

BLOCK DIAGRAM

