

ISP[®]

International Sound Products

160

service manual

ELECTRO-DENIS sprl
Radio-TV-HiFi-Electro Ménager
Faubourg de France 2
6830 Bouillon
061 - 466 352

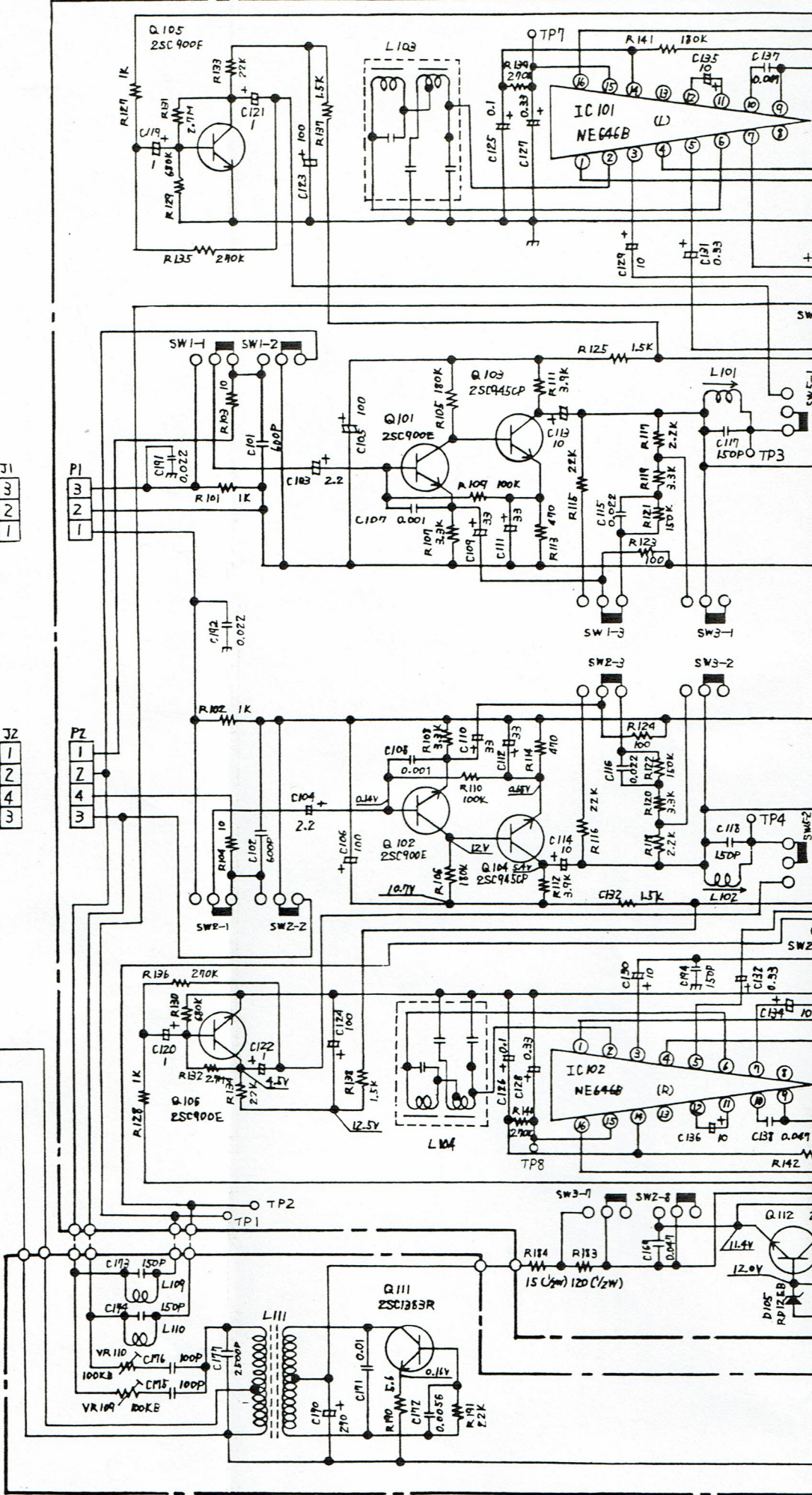
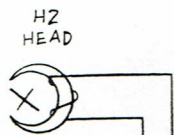
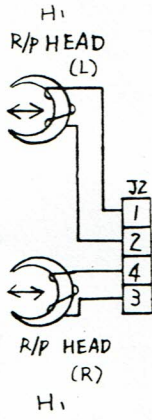
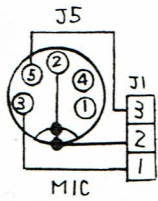
Tuner

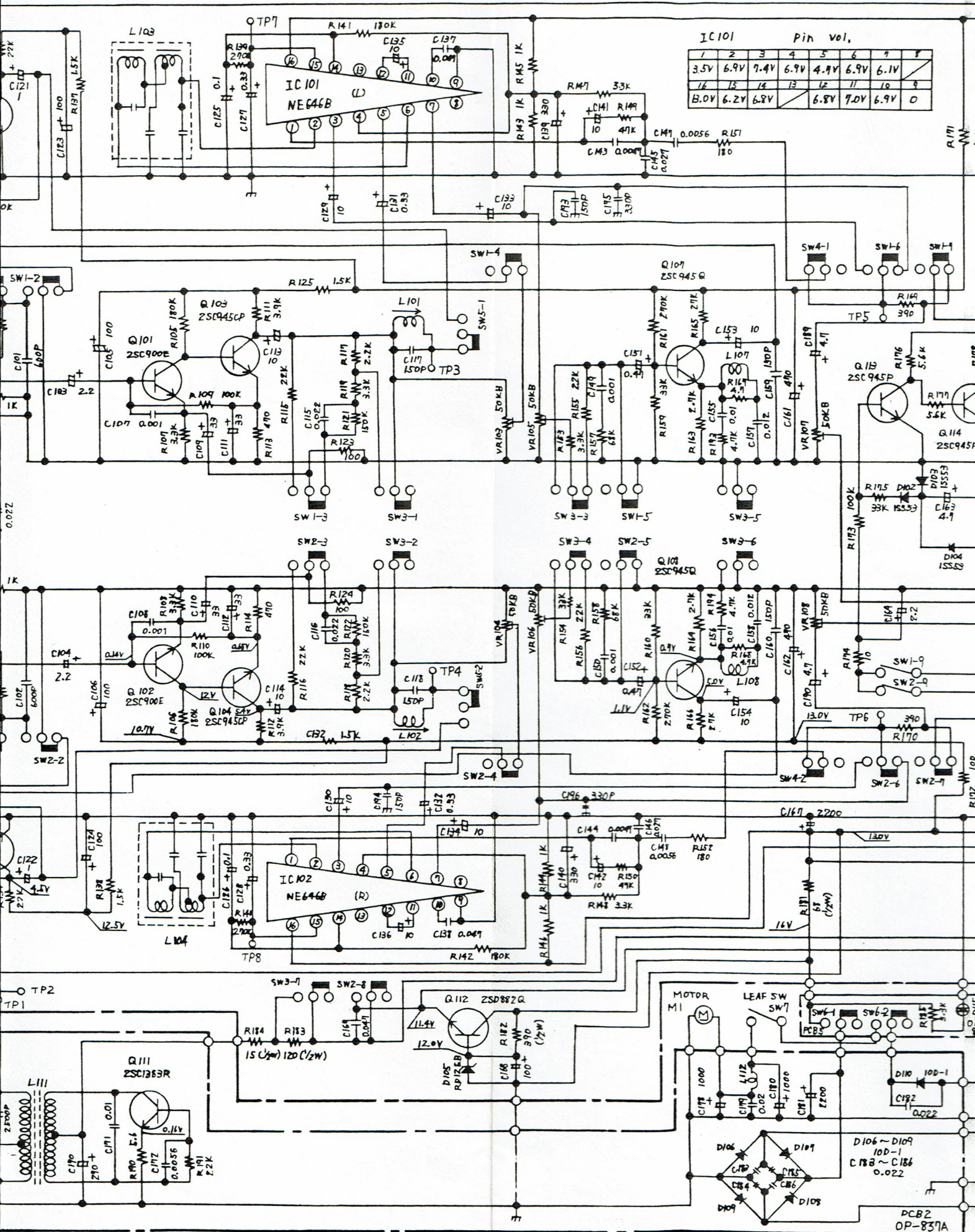
Amplifier

*** Cassette - deck**

SERIE 200







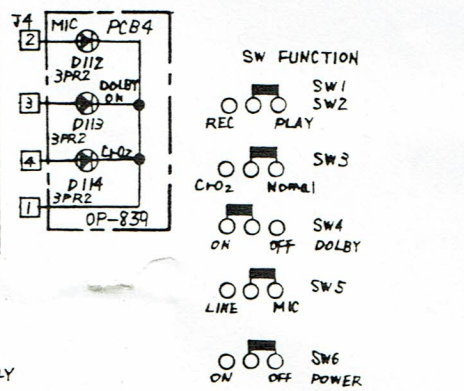
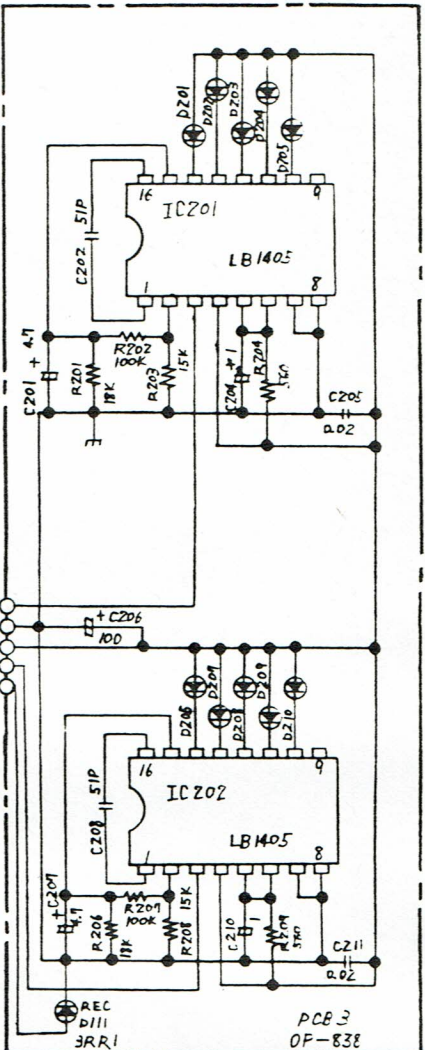
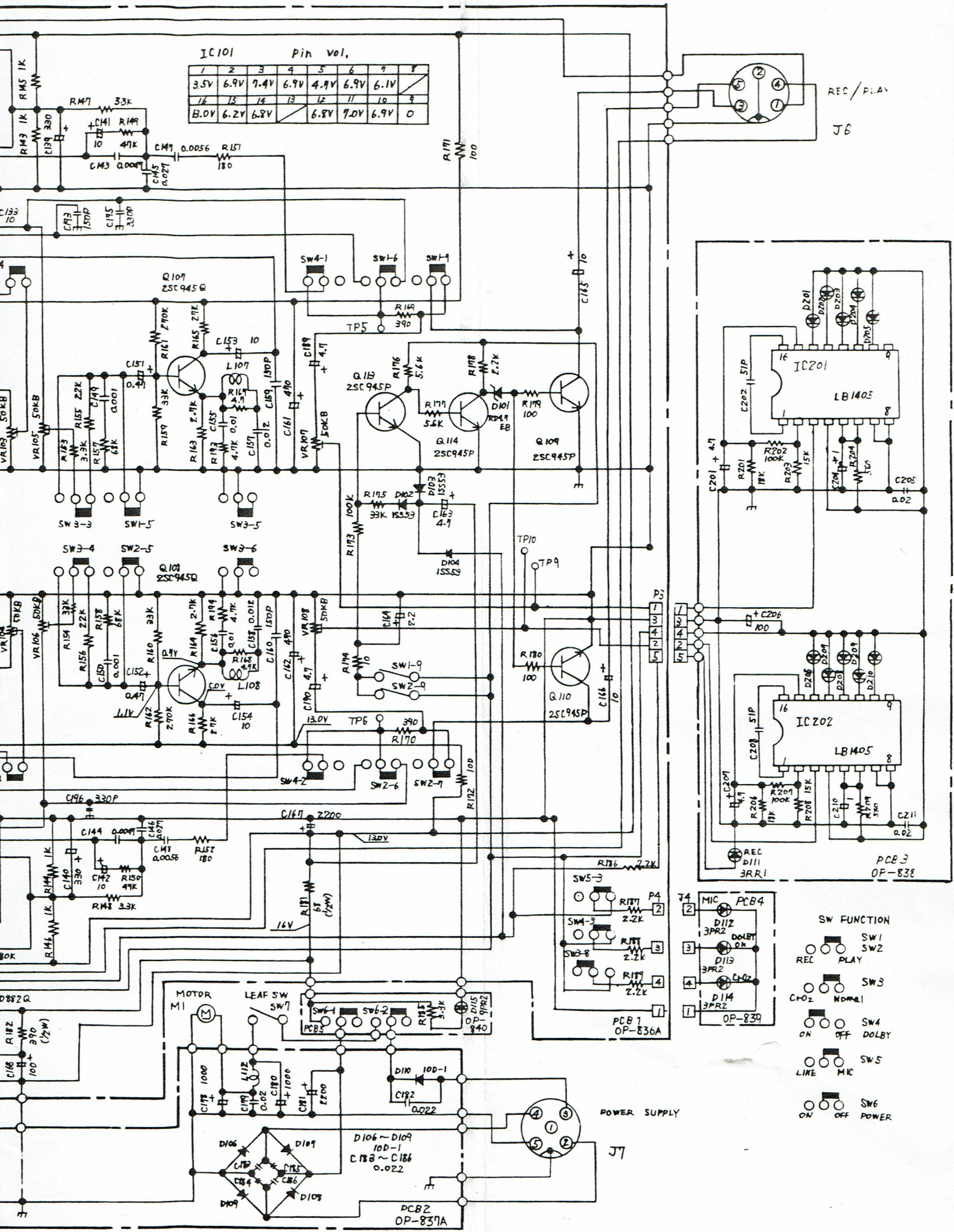
IC101 Pin vol.

1	2	3	4	5	6	7	8
3.5V	6.9V	7.4V	6.9V	4.9V	6.9V	6.1V	
16	15	14	13	12	11	10	9
B.0V	6.2V	6.8V		6.8V	7.0V	6.9V	0

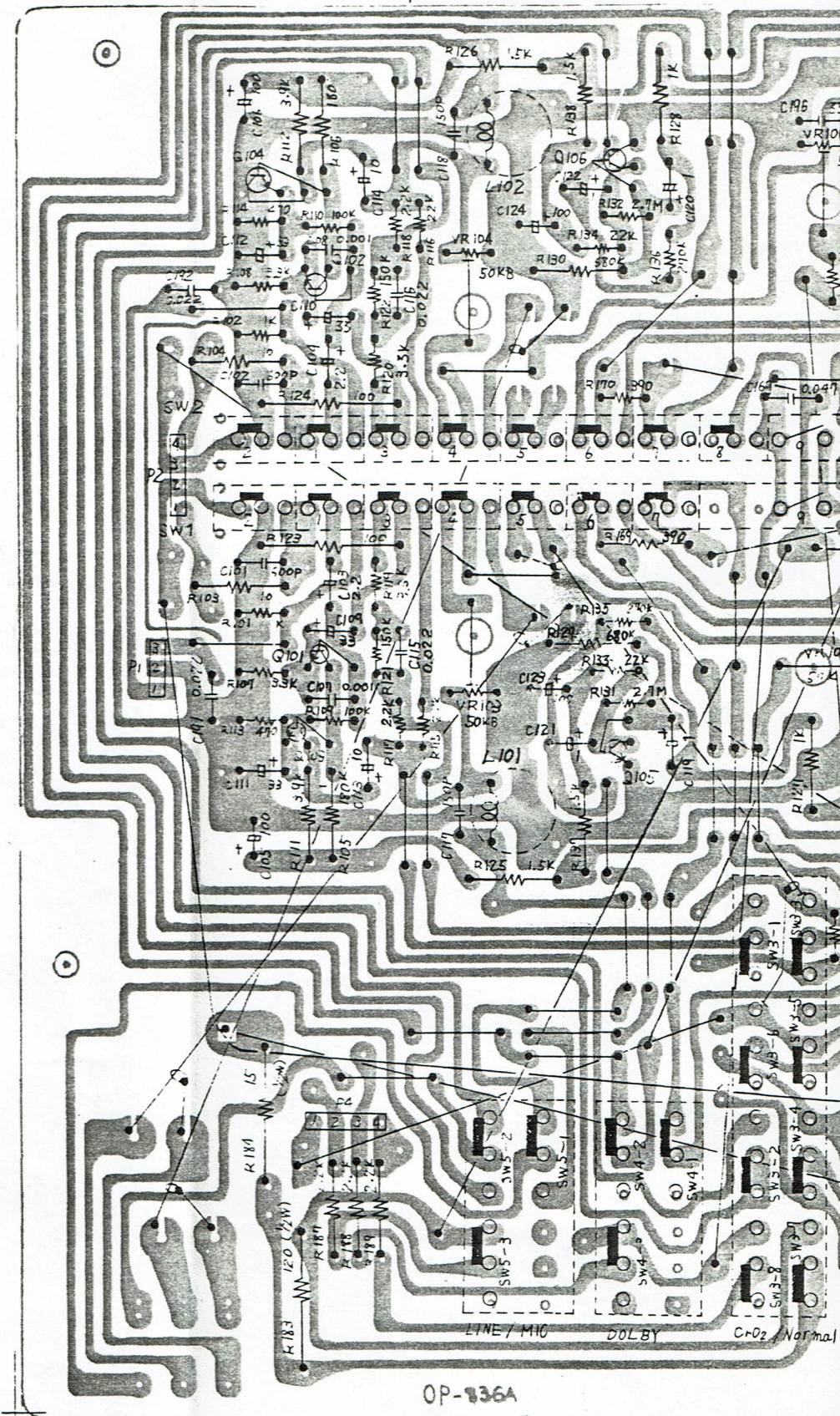
PCB2
OP-837A

IC101 Pin Vol.

1	2	3	4	5	6	7	8
3.5V	6.9V	7.4V	6.9V	4.4V	6.9V	6.1V	
14	15	14	13	12	11	10	9
B.0V	6.2V	6.8V		6.8V	7.0V	6.9V	0

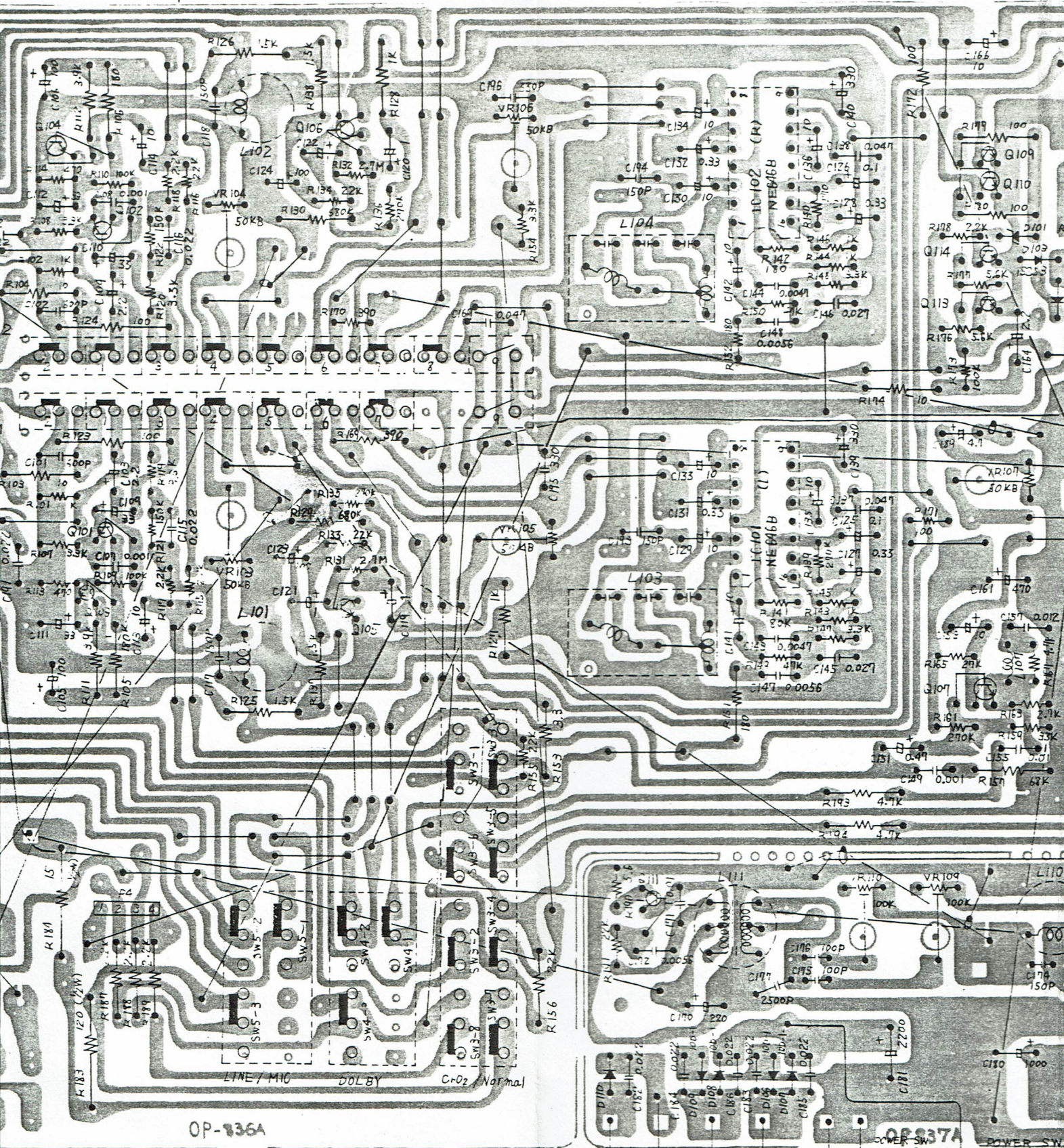


- SW FUNCTION
- REC SW1
 - PLAY SW2
 - SW3
 - Normal C102
 - ON SW4
 - OFF SW4
 - DOLBY SW4
 - SW5
 - LIKE SW5
 - MC SW5
 - ON SW6
 - OFF SW6
 - POWER SW6



OP-836A

-CB1
OP-836A



OP-136A

OP-137A

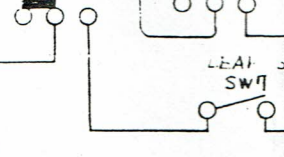
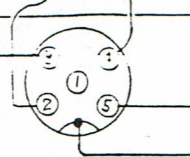
136A

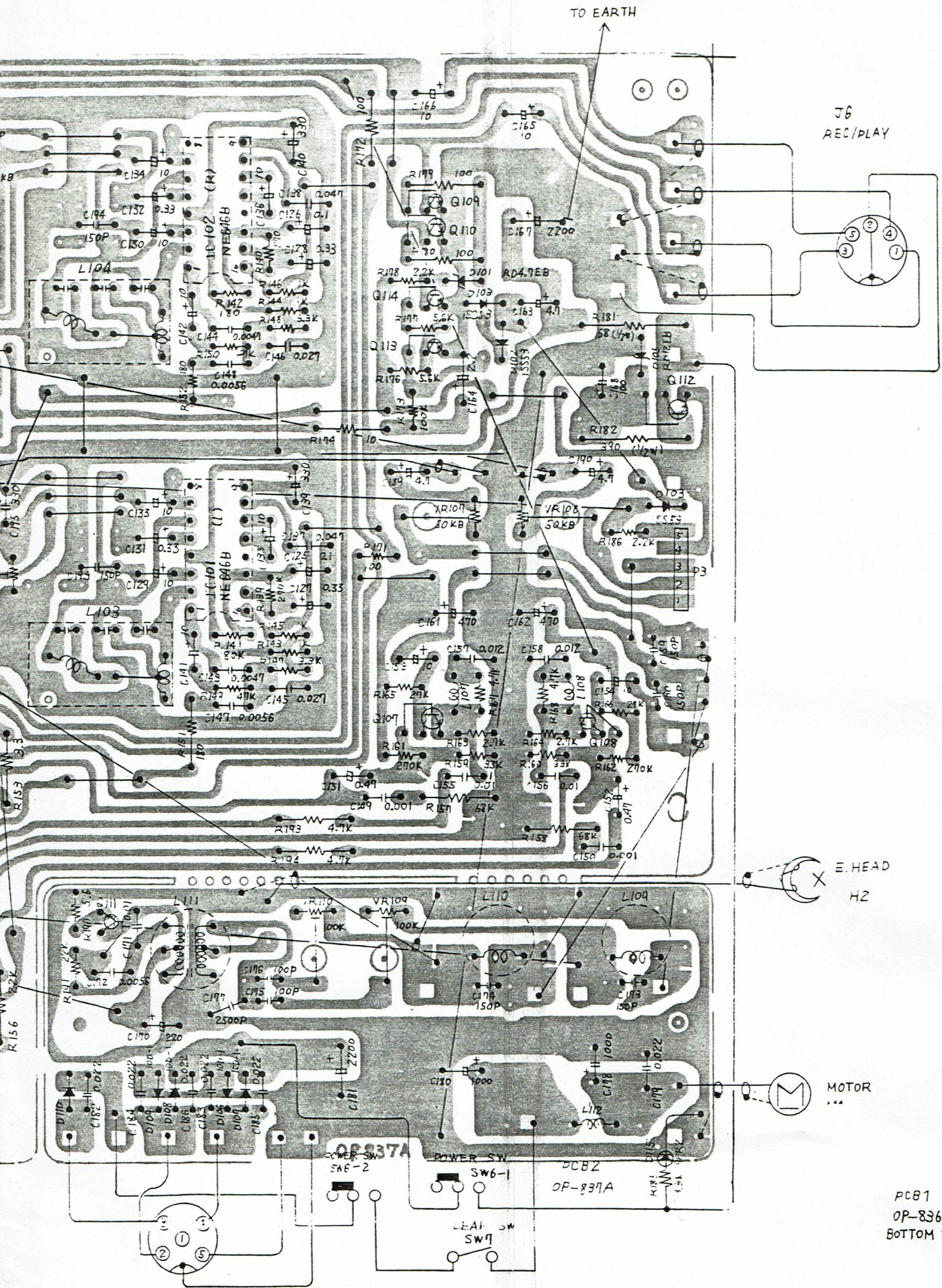
POWER SUPPLY J7

POWER SW SW6-2

POWER SW SW6-1

LEAF SW7





J6
REC/PLAY

E. HEAD
H2

MOTOR

POWER SUPPLY J7

PCB1
OP-836A, OP-837A
BOTTOM VIEW

